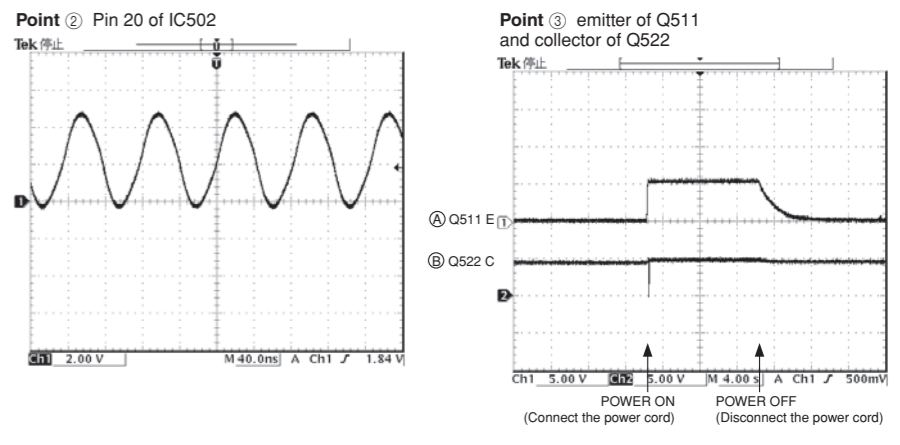
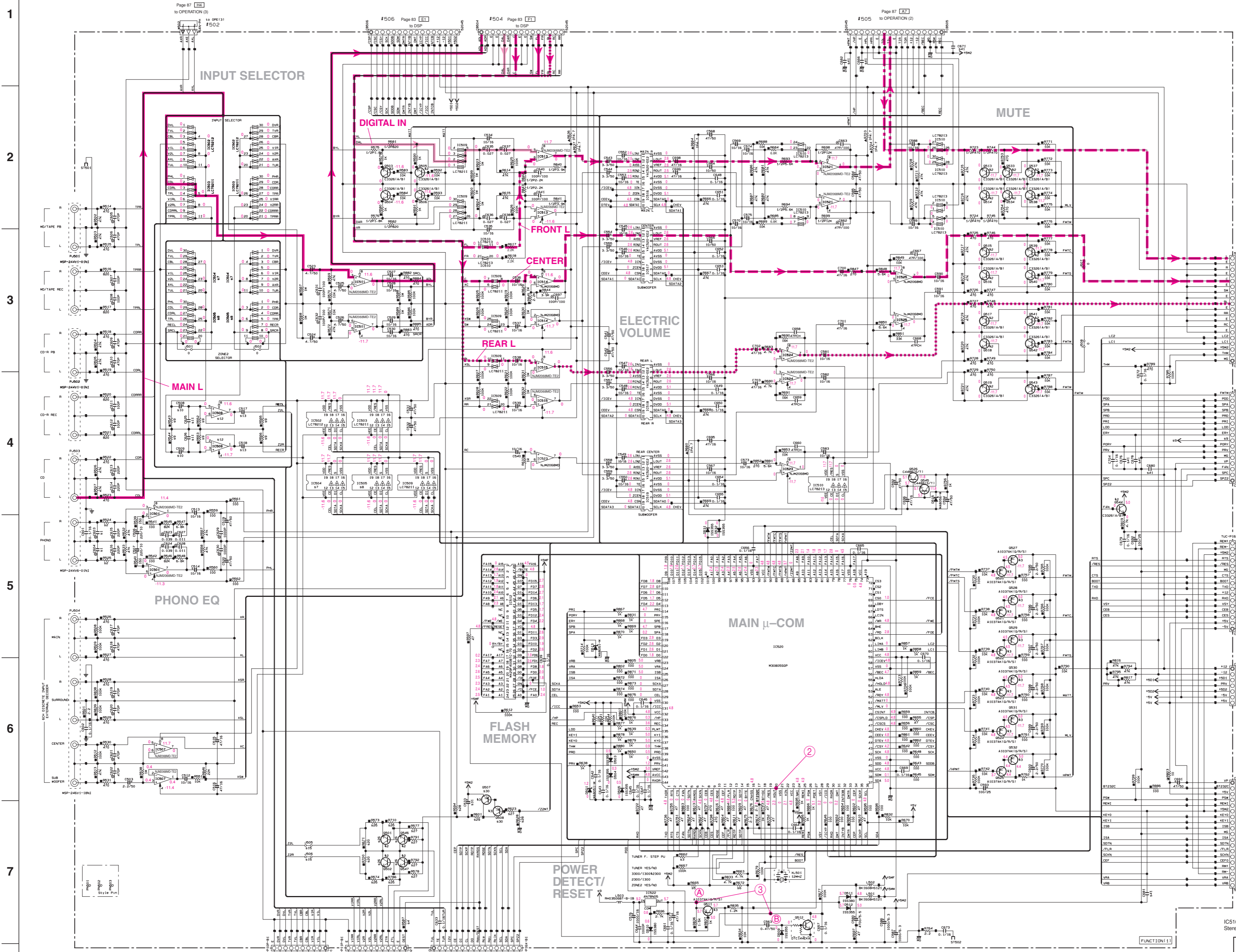


SCHEMATIC DIAGRAM (FUNCTION) RX-V1300/RX-V1300RDS/HTR-5590/DSP-AX1300

RX-V2300/DSP-AX2300/RX-V1300/RX-V1300RDS/HTR-5590/DSP-AX1300



| IC Part No. | J | K | R | S | T | U | V | W | X | Y | Z | Comments |
|-------------|---|---|---|---|---|---|---|---|---|---|---|----------------------------------|
| 1 | IC501, 507, 511, 513-515, 521, 523-525: NJM2068MD | | | | | | | | | | | Dual OP-Amp |
| 2 | IC502: 504: LC78212 | | | | | | | | | | | Analog Function Switch |
| 3 | IC503: 509: LC78211 | | | | | | | | | | | Analog Function Switch |
| 4 | IC505: 510: LC78213 | | | | | | | | | | | Analog Function Switch |
| 5 | IC516-519, 526: YAC520-EE2 | | | | | | | | | | | Stereo Digital Volume Controller |
| 6 | IC512: MX29F400BTC-70 | | | | | | | | | | | 4Mbit CMOS Flash Memory |
| 7 | IC522: AN78N05 | | | | | | | | | | | Voltage Regulator |

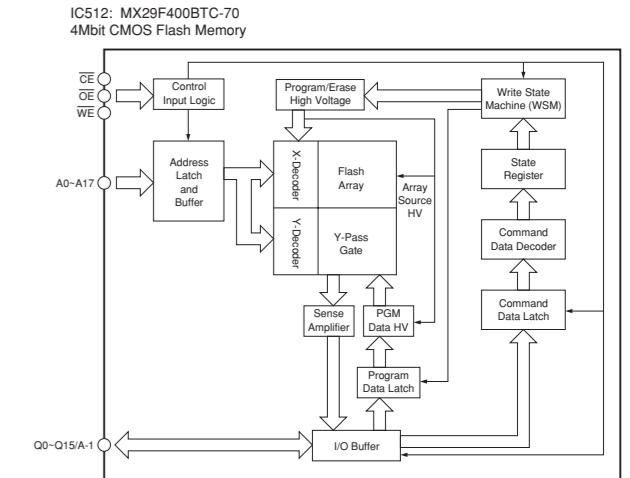
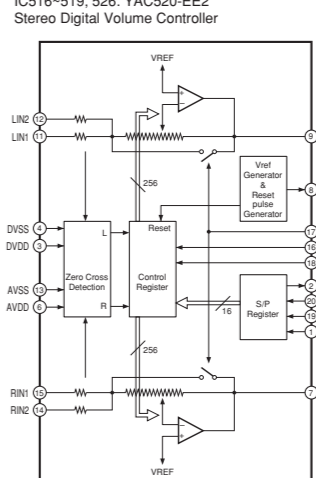
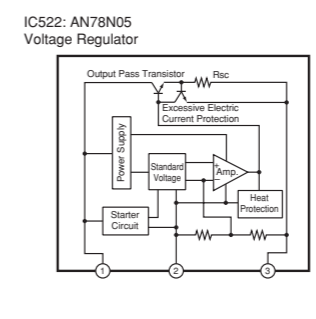
* NOT USED
○ USED / APPLICABLE

NOTICE (mode1)
 (J) JAPAN
 (U) U.S.A.
 (C) CANADA
 (R) GENERAL
 (T) CHINA
 (K) KOREA
 (A) AUSTRALIA
 (B) BRITISH
 (G) EUROPE
 (L) SINGAPORE

| NO. | REMARKS | PARTS NAME | REMARKS | PARTS NAME |
|-----|---------|--------------------------------------|---------|---------------------------------|
| 1 | NO MARK | TANTALUM CAPACITOR | NO MARK | CARBON FILM RESISTOR (P=1) |
| 2 | NO MARK | CERAMIC TUBULAR CAPACITOR | NO MARK | METAL FILM RESISTOR (P=10) |
| 3 | NO MARK | POLYESTER FILM CAPACITOR | NO MARK | METAL OXIDE FILM RESISTOR |
| 4 | NO MARK | POLYPROPYLENE FILM CAPACITOR | NO MARK | METAL PLATE RESISTOR |
| 5 | NO MARK | SEMICONDUCTIVE CERAMIC CAPACITOR | NO MARK | FINE PITCH CARBON FILM RESISTOR |
| 6 | NO MARK | POLYPHENYLENE SULFIDE FILM CAPACITOR | NO MARK | CHIP RESISTOR |

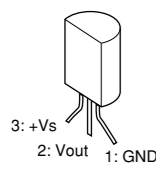
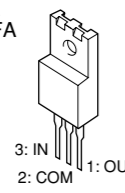
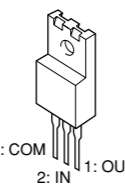
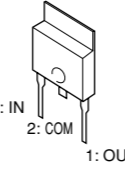
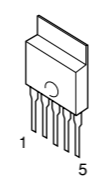
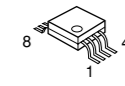
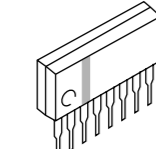
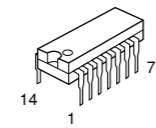
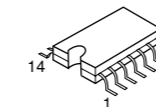
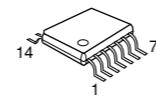
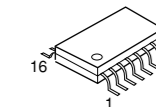
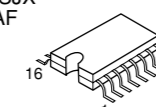
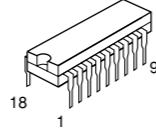
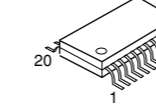
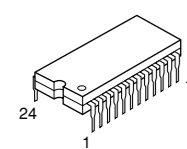
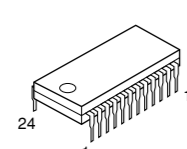
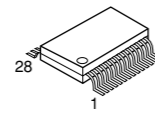
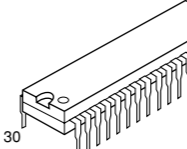
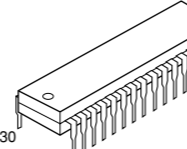
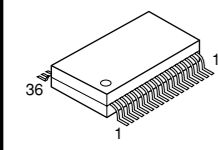
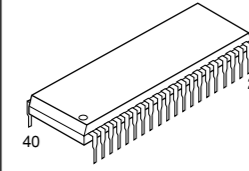
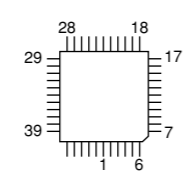
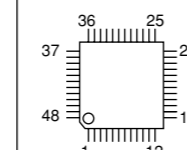
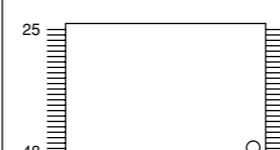
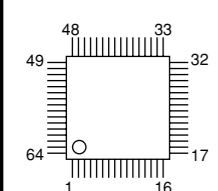
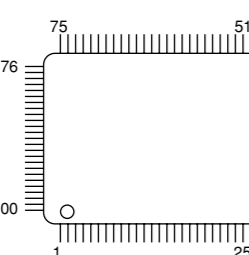
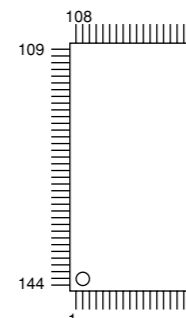
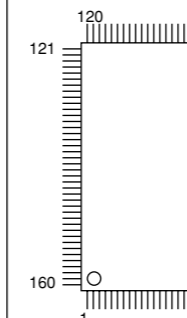
* All voltages are measured with a 10MΩ/V DC electric volt meter.
 * Components having special characteristics are marked (A) and must be replaced with parts having specifications equal to those originally installed.
 * Schematic diagram is subject to change without notice.

● 電圧は、内部抵抗10MΩの電圧計で測定したものです。
 ● (A)印のある部品は、安全性確保部品を示しています。部品の交換が必要な場合、パーツリストに記載されている部品を使用してください。
 ● 本回路図は標準回路図です。改良のため予告なく変更することがございます。

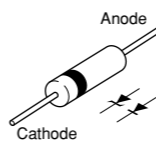
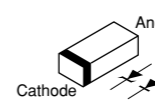
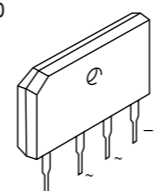
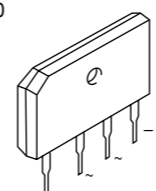


■ PIN CONNECTION DIAGRAM



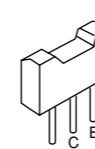
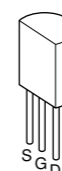
• ICs

| | | | | |
|---|--|---|--|--|
| LM61CIZ  | AN78N05 NJM7805FA NJM78M12FA  | NJM79M05FA NJM79M12FA  | μPC29M33T-E1  | PQ025EZ5MZP  |
| NJM2068MD NJM2904M TK15420M μPC4570G2  | NJM4556AL  | TC4066BP  | TC74HCT00AF TC74HCU04AF TC74HCT08AF  | NJM2581M TC4066BF-T1  |
| ADM202JRN-REEL7 LA7108M M62320FP  | MM74HC4051N MM74HC4051SJX MM74HC4053N MM74HC4053SJX TC74HC4052AF  | BU2092  | CS4392-KZR CS5360-KSR YAC520-EE2  | |
| LC72722  | LC74781-9798  | CY62256LL  | LC78211 LC78213  | LC78212  |
| LA7109  | MSM514260E-60JS  | CS493292-CLR  | CS4382-KQR  | MX29F400BTC-70  |
| M66003-0101FP  | XC9572XL-10TQ100C  | M30805SGP  | YSS938-F  | |

• Diodes

| | | | |
|---|---|--|---|
| 1N4002S 1SS133 1SS270A 1T2 MTZJ4.7C MTZJ5.1A MTZJ6.2C MTZJ9.1A MTZJ10.0A MTZJ10.0B MTZJ12.0C MTZJ20.0C MTZJ24.0C MTZJ33.0B |  | 1SS355 1SS380 MA8051-M MA8056-M MA8068-H MA8082-H RB501V-40 UDZS5.6BTE-17 |  |
| D2SBA20  | D15XB20  | | |

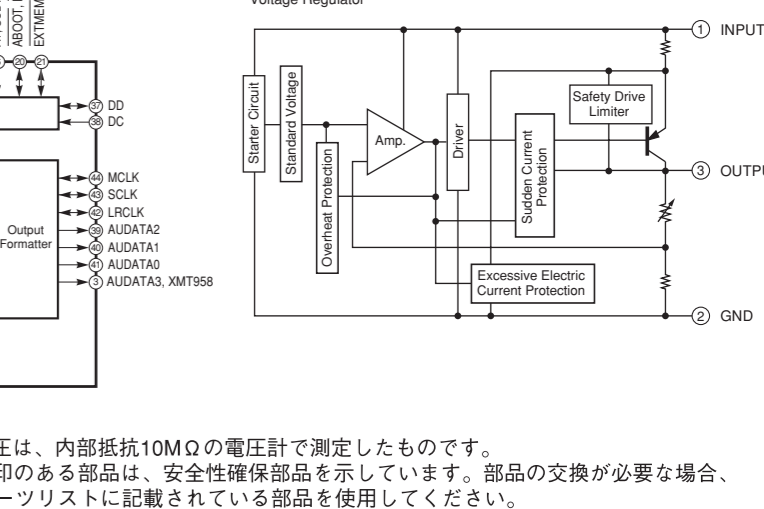
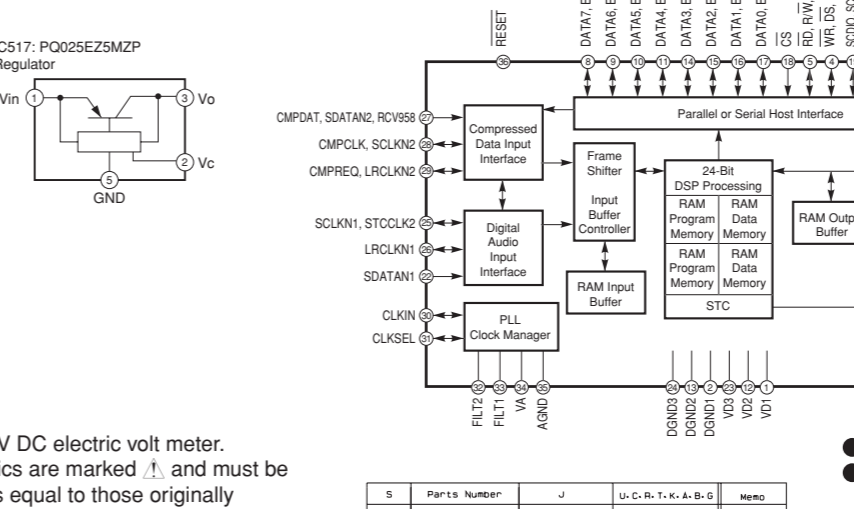
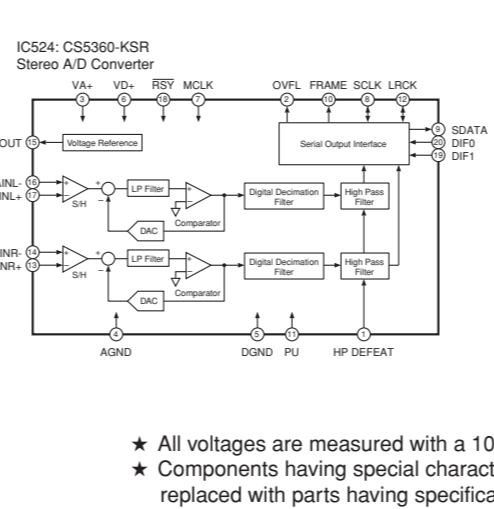
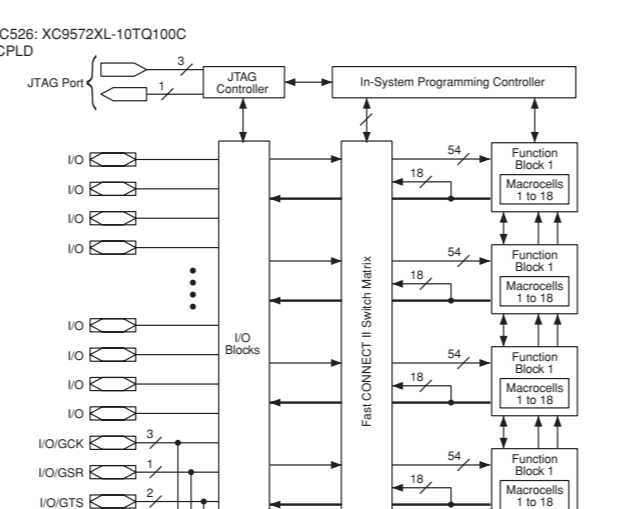
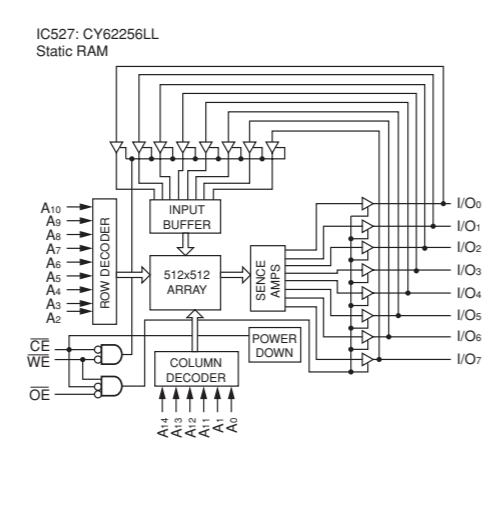
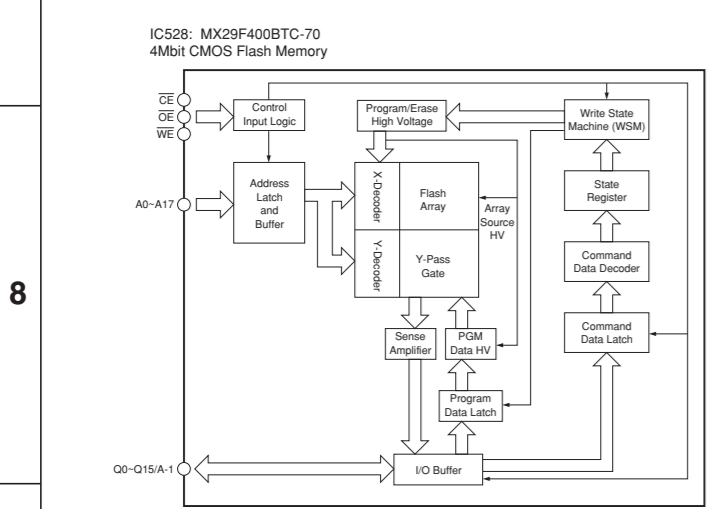
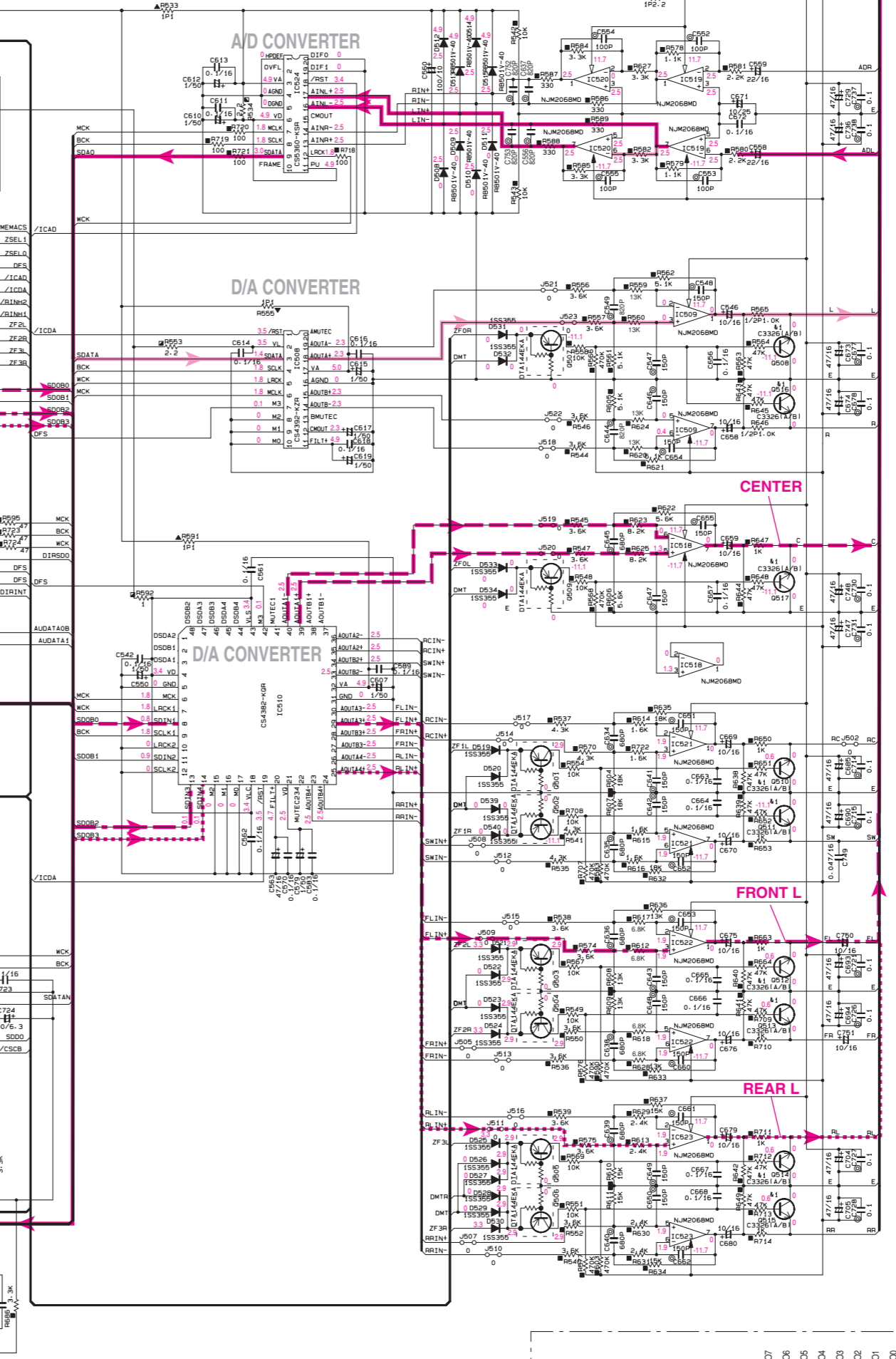
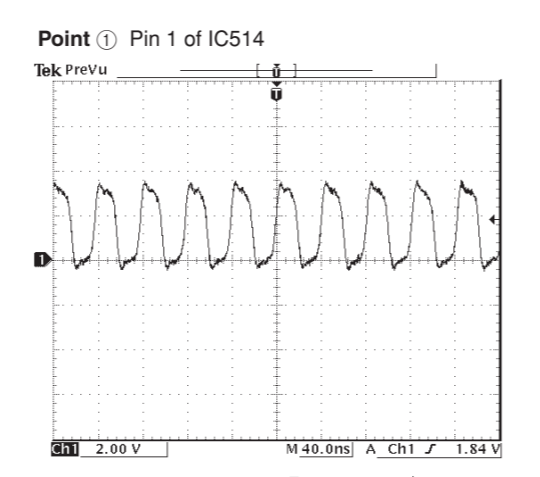
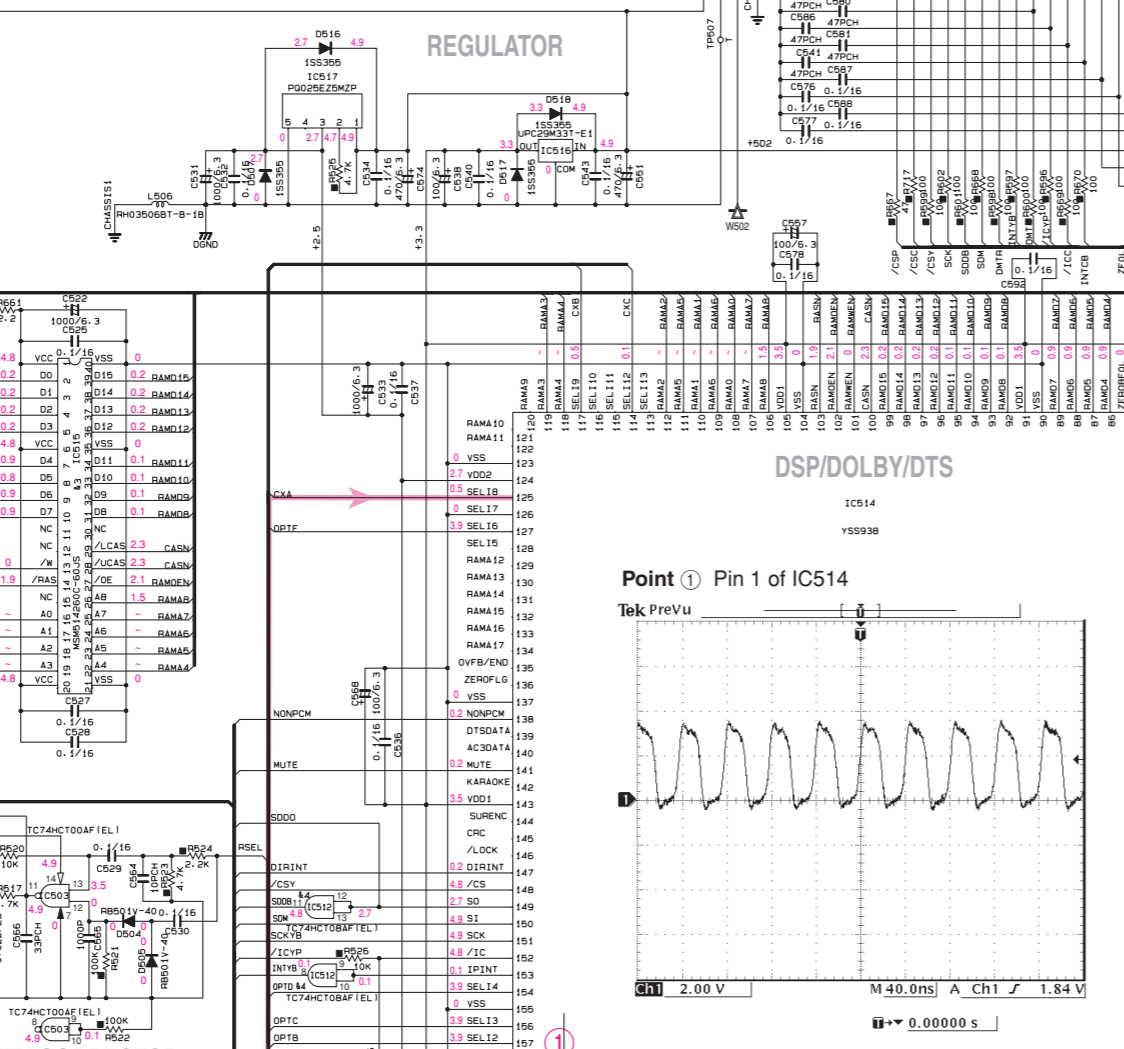
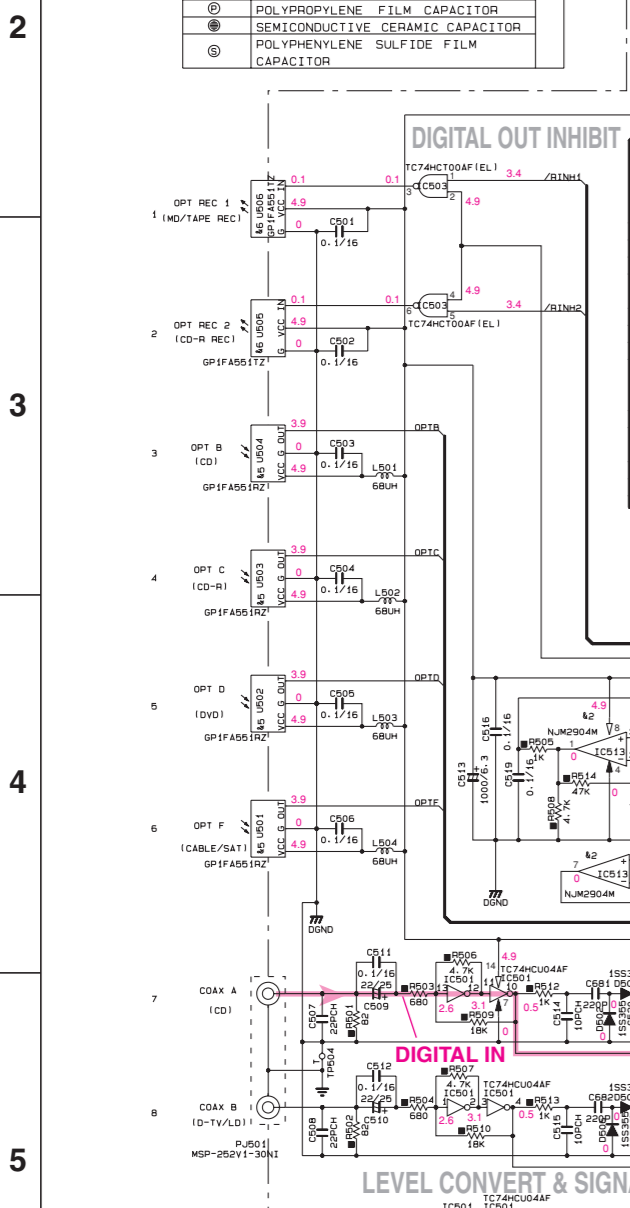
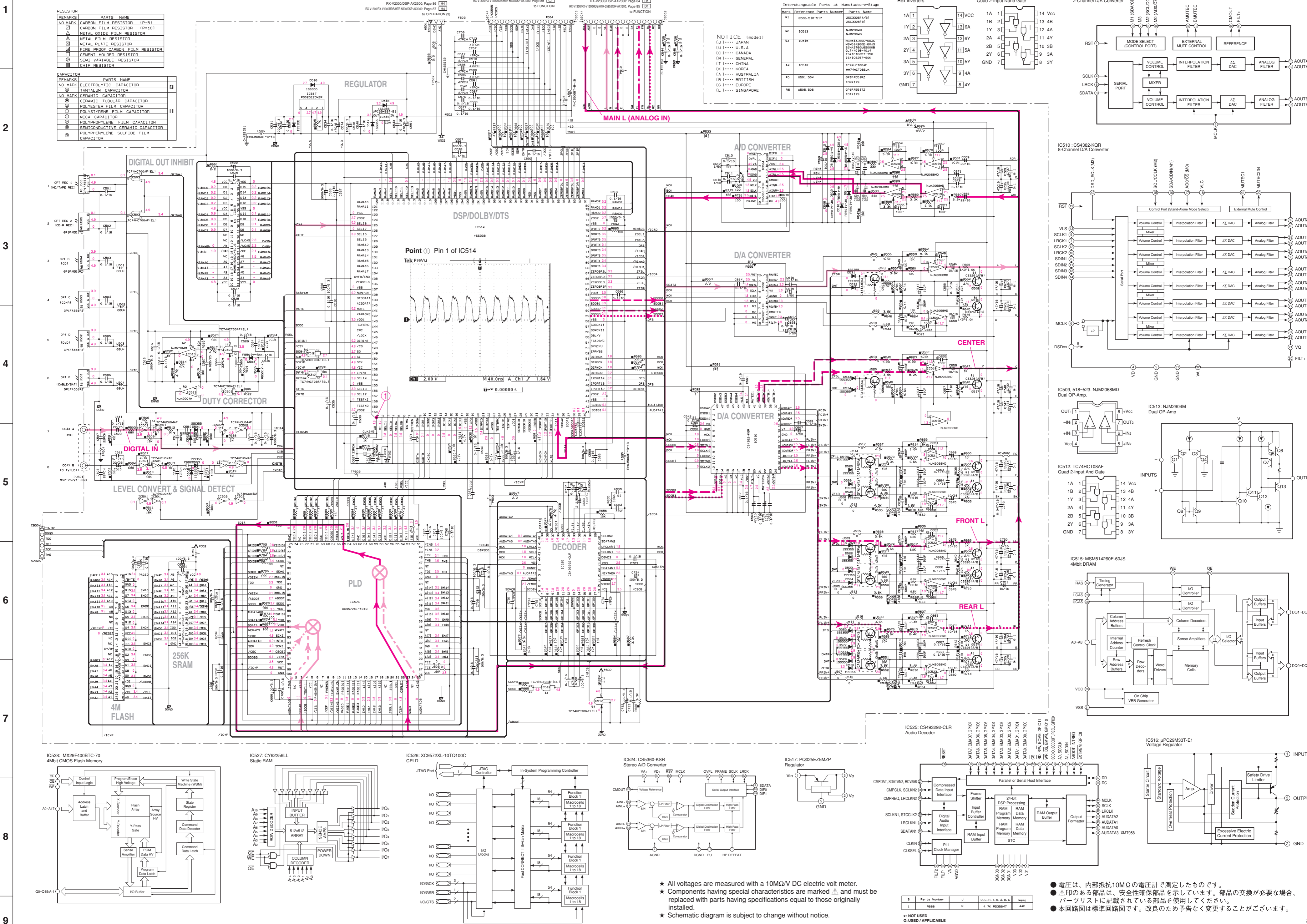
• Transistors

| | | | |
|--|--|--|--|
| 2SA893A 2SA970 2SA1015 2SB949 2SC535 2SC1815 2SC1890A 2SC2240 2SC2878 | 2SC1740S 2SD1915F  | 2SA1837 2SB941 2SB1565 2SC4793 2SD2396 | 2SA1492 2SC3856  |
| 2SA1037K 2SC2412K 2SC3326 DTA144EKA DTC144EKA | 2SA1708 2SC4488  | 2SK246  | |

SCHEMATIC DIAGRAM (DSP)

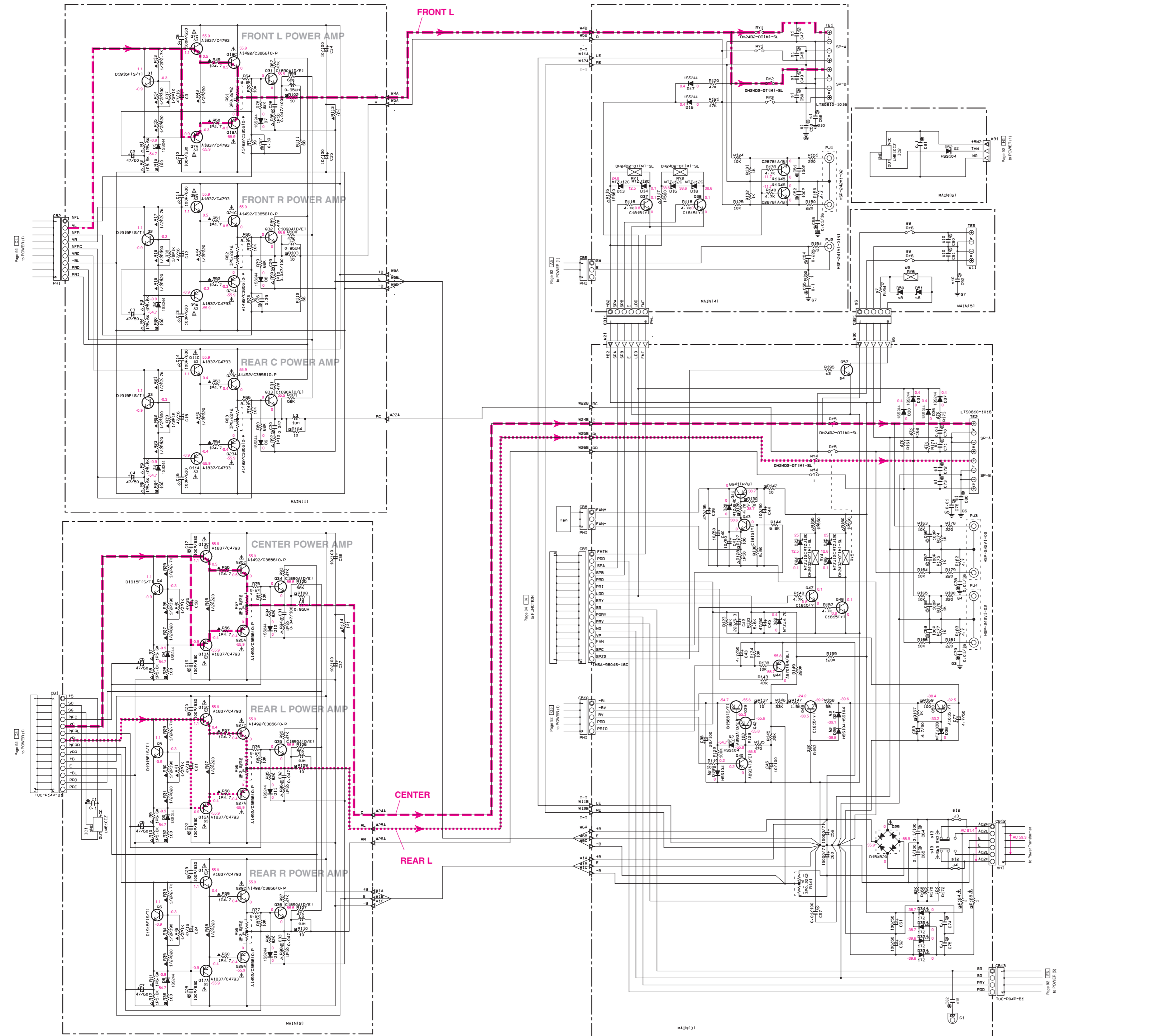
| REMARKS | PARTS NAME |
|----------|---------------------------------|
| RESISTOR | |
| NO. MARK | CARBON FILM RESISTOR (P=5) |
| □ | CARBON FILM RESISTOR (P=10) |
| △ | METAL OXIDE FILM RESISTOR |
| ▲ | METAL FILM RESISTOR |
| ◇ | METAL PLATE RESISTOR |
| ○ | FIRE PROOF CARBON FILM RESISTOR |
| □ | CEMENT MOLDED RESISTOR |
| ○ | SEMI-VARIABLE RESISTOR |
| ○ | CHIP RESISTOR |

| REMARKS | PARTS NAME |
|-----------|-------------------------------------|
| CAPACITOR | |
| NO. MARK | ELECTROLYTIC CAPACITOR |
| □ | TANTALUM CAPACITOR |
| ○ | CERAMIC CAPACITOR |
| ○ | CERAMIC TUBULAR CAPACITOR |
| ○ | POLYESTER FILM CAPACITOR |
| ○ | POLYSTYRENE FILM CAPACITOR |
| ○ | MICA CAPACITOR |
| ○ | POLYPROPYLENE FILM CAPACITOR |
| ○ | SEMICONDUCTIVE CERAMIC CAPACITOR |
| ○ | POLYETHYLENE SULFIDE FILM CAPACITOR |



● 電圧は、内部抵抗10MΩの電圧計で測定したものです。
 ● 1印のある部品は、安全性確保部品を示しています。部品の交換が必要な場合、パーツリストに記載されている部品を使用してください。
 ● 本回路図は標準回路図です。改良のため予告なく変更することがございます。

SCHEMATIC DIAGRAM (MAIN) RX-V2300/DSP-AX-2300



RESISTOR

| REMARKS | PARTS NAME |
|---------|---------------------------------|
| NO MARK | CARBON FILM RESISTOR (P=5) |
| △ | CARBON FILM RESISTOR (P=10) |
| □ | METAL OXIDE FILM RESISTOR |
| ▲ | METAL FILM RESISTOR |
| ⊠ | METAL PLATE RESISTOR |
| ■ | FIRE PROOF CARBON FILM RESISTOR |
| □ | CEMENT MOLDED RESISTOR |
| ○ | SEMI VARIABLE RESISTOR |
| ■ | CHIP RESISTOR |

CAPACITOR

| REMARKS | PARTS NAME |
|---------|----------------------------------|
| NO MARK | ELECTROLYTIC CAPACITOR |
| ⊗ | TANTALUM CAPACITOR |
| NO MARK | CERAMIC CAPACITOR |
| ⊙ | CERAMIC TUBULAR CAPACITOR |
| ⊚ | POLYESTER FILM CAPACITOR |
| ○ | POLYSTYRENE FILM CAPACITOR |
| ⊖ | MICA CAPACITOR |
| ⊙ | POLYPROPYLENE FILM CAPACITOR |
| ● | SEMICONDUCTIVE CERAMIC CAPACITOR |

NOTICE (mode1)
 (J)..... JAPAN
 (U)..... U.S.A
 (C)..... CANADA
 (R)..... GENERAL
 (T)..... CHINA
 (K)..... KOREA
 (A)..... AUSTRALIA
 (B)..... BRITISH
 (G)..... EUROPE
 (L)..... SINGAPORE

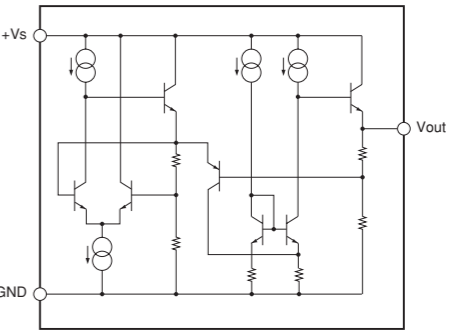
| PART NO. | DSP-AK2300 | | RX-V2300 | |
|----------|--------------------|-------|----------------|----------------|
| | U-C | R.T.K | U-C | R.T.K |
| s1 | C47, C48, C49, C50 | x | 0.01 | 0.01 |
| | C53, C56, C71 | x | U465410 | U465410 |
| | C72, C73, C80 | | | |
| s3 | R195 | x | 4.7K | 4.7K |
| | | | WF2547 | WF2547 |
| s4 | D07 | x | C18151V1 | C18151V1 |
| | | | IC18151 | IC18151 |
| s5 | R30 | x | V892050 | V892050 |
| s6 | C821 | x | L891805 | L891805 |
| | | | IP650 | IP650 |
| s7 | R194 | x | V84930 | V84930 |
| | | | WT12C | WT12C |
| s8 | D50, D51 | x | V54430 | V54430 |
| | | | DS4430 | DS4430 |
| s9 | R16 | x | DH242-OT1M1-SL | DH242-OT1M1-SL |
| | | | V53260 | V53260 |
| s10 | C90, C91, C92 | x | x | 0.01 |
| | | | | U465410 |
| s11 | TE5 | x | L150410-3012 | L150410-3012 |
| | | | V465410 | V465410 |
| s12 | J3, J4 | o | x | x |
| s13 | R33 | x | SL138-022-AMCS | SL138-022-AMCS |
| | | | V410400 | V410400 |
| s14 | R102, 103 | HV10 | HV10 | HV10 |
| | | | HV75347 | HV75347 |
| s15 | C82 | x | 0 | 0.1 |
| | | | V20510 | V20510 |

x: NOT USED
 o: USED/APPLICABLE

Interchangeable Parts at Manufacture-Stage

| Part No. | Reference Parts Number | Parts Name |
|----------|------------------------|---------------|
| s1 | 045, 46 | 25C28781A/01 |
| | | 25D1915F15/11 |
| s2 | D19, 21, 27, 28, 52 | H55104 |
| | | 155133 |
| | | 155176 |
| s3 | 07, 9, 11, 13, 15, 17 | A1837C4793 |
| | | A1855AC48334 |

IC1: LM61C1Z
 Temperature Sensor

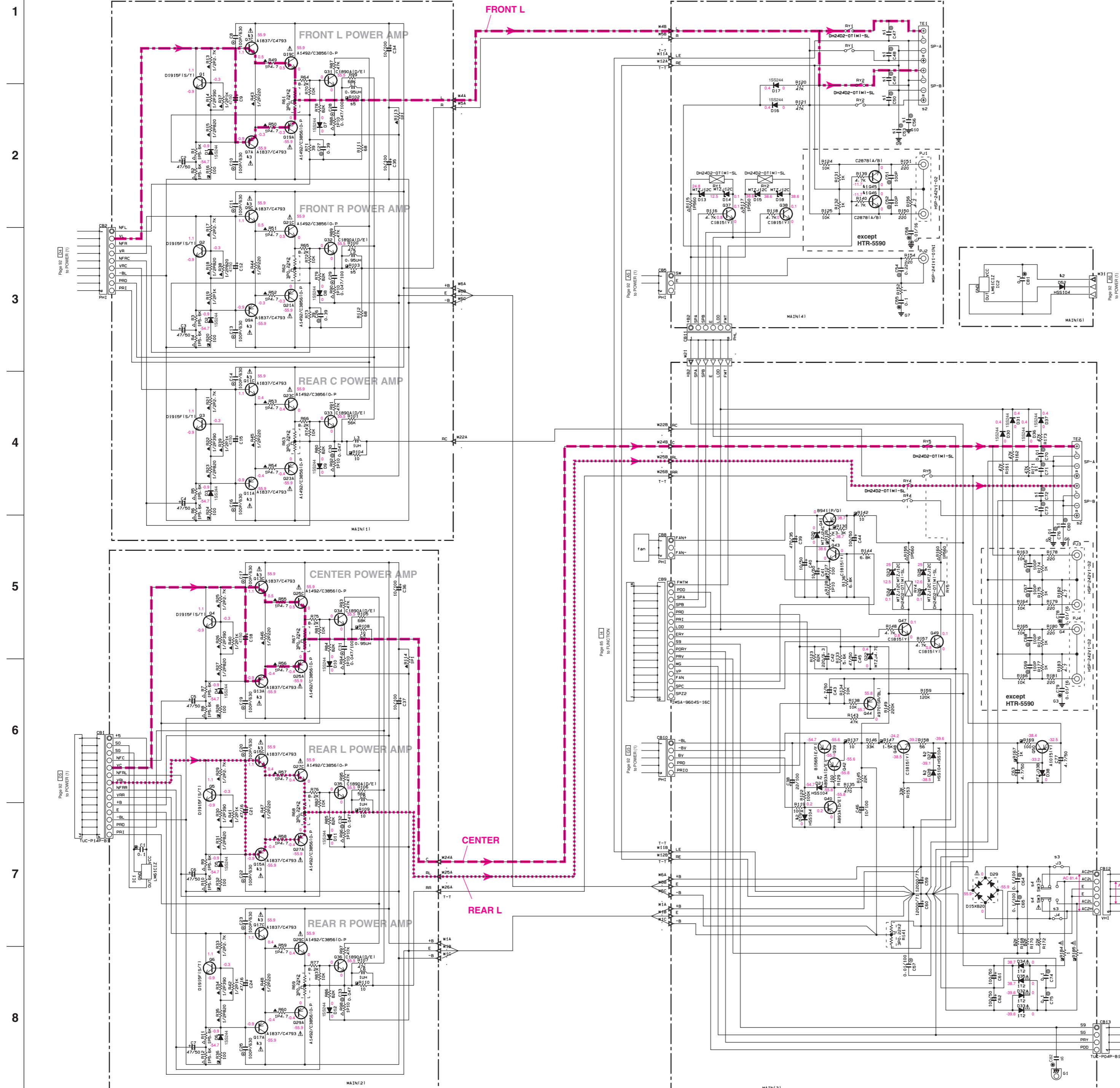


- ★ All voltages are measured with a 10MΩ/VC electric volt meter.
- ★ Components having special characteristics are marked △ and must be replaced with parts having specifications equal to those originally installed.
- ★ Schematic diagram is subject to change without notice.

- 電圧は、内部抵抗10MΩの電圧計で測定したものです。
- △印のある部品は、安全性確保部品を示しています。部品の交換が必要な場合、パーツリストに記載されている部品を使用してください。
- 本回路図は標準回路図です。改良のため予告なく変更することがございます。

SCHEMATIC DIAGRAM (MAIN) RX-V1300/RX-V1300RDS/HTR-5590/DSP-AX1300

RX-V2300/DSP-AX2300/RX-V1300/RX-V1300RDS/HTR-5590/DSP-AX1300



RESISTOR

| REMARKS | PARTS NAME |
|---------|---------------------------------|
| NO MARK | CARBON FILM RESISTOR (P=5) |
| □ | CARBON FILM RESISTOR (P=10) |
| △ | METAL OXIDE FILM RESISTOR |
| ▲ | METAL FILM RESISTOR |
| ⊠ | METAL PLATE RESISTOR |
| ■ | FIRE PROOF CARBON FILM RESISTOR |
| □ | CEMENT MOLDED RESISTOR |
| ⊕ | SEMI VARIABLE RESISTOR |
| ■ | CHIP RESISTOR |

CAPACITOR

| REMARKS | PARTS NAME |
|---------|----------------------------------|
| NO MARK | ELECTROLYTIC CAPACITOR |
| ⊗ | TANTALUM CAPACITOR |
| NO MARK | CERAMIC CAPACITOR |
| ⊙ | CERAMIC TUBULAR CAPACITOR |
| ○ | POLYSTYRENE FILM CAPACITOR |
| ⊖ | MICA CAPACITOR |
| ⊕ | POLYPROPYLENE FILM CAPACITOR |
| ● | SEMICONDUCTIVE CERAMIC CAPACITOR |

NOTICE (mode)

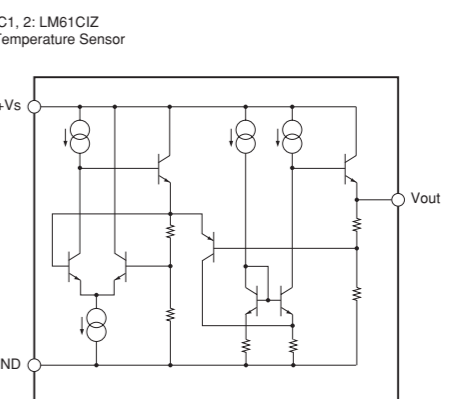
(J)..... JAPAN
 (U)..... U.S.A
 (C)..... CANADA
 (R)..... GENERAL
 (T)..... CHINA
 (K)..... KOREA
 (A)..... AUSTRALIA
 (B)..... BRITISH
 (G)..... EUROPE
 (L)..... SINGAPORE

| | DSP-AX1300 | RX-V1300RDS | RX-V1300RDS | RX-V1300RDS |
|----|------------------------------|-------------|-------------|-------------|
| | J | U-C | R.T.K.A | B-G |
| R1 | C47, C48, C49, C50 | x | x | x |
| R2 | C53, C56, C71, C72, C73, C80 | x | x | x |
| R3 | L75010-1016 | L75010-1016 | L75010-1016 | L75010-1016 |
| R4 | V949900 | V949900 | V949900 | V949900 |
| R5 | J3-J4 | x | x | x |
| R6 | SW3 | x | x | x |
| R7 | R102-103 | HY75410 | HY75410 | HY75410 |
| R8 | C82 | x | x | x |

x: NOT USED
 o: USED / APPLICABLE

Interchangeable Parts at Manufacture-Stage

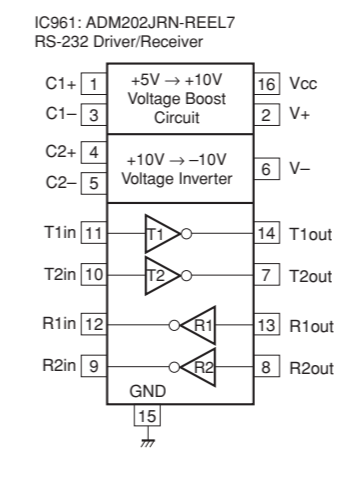
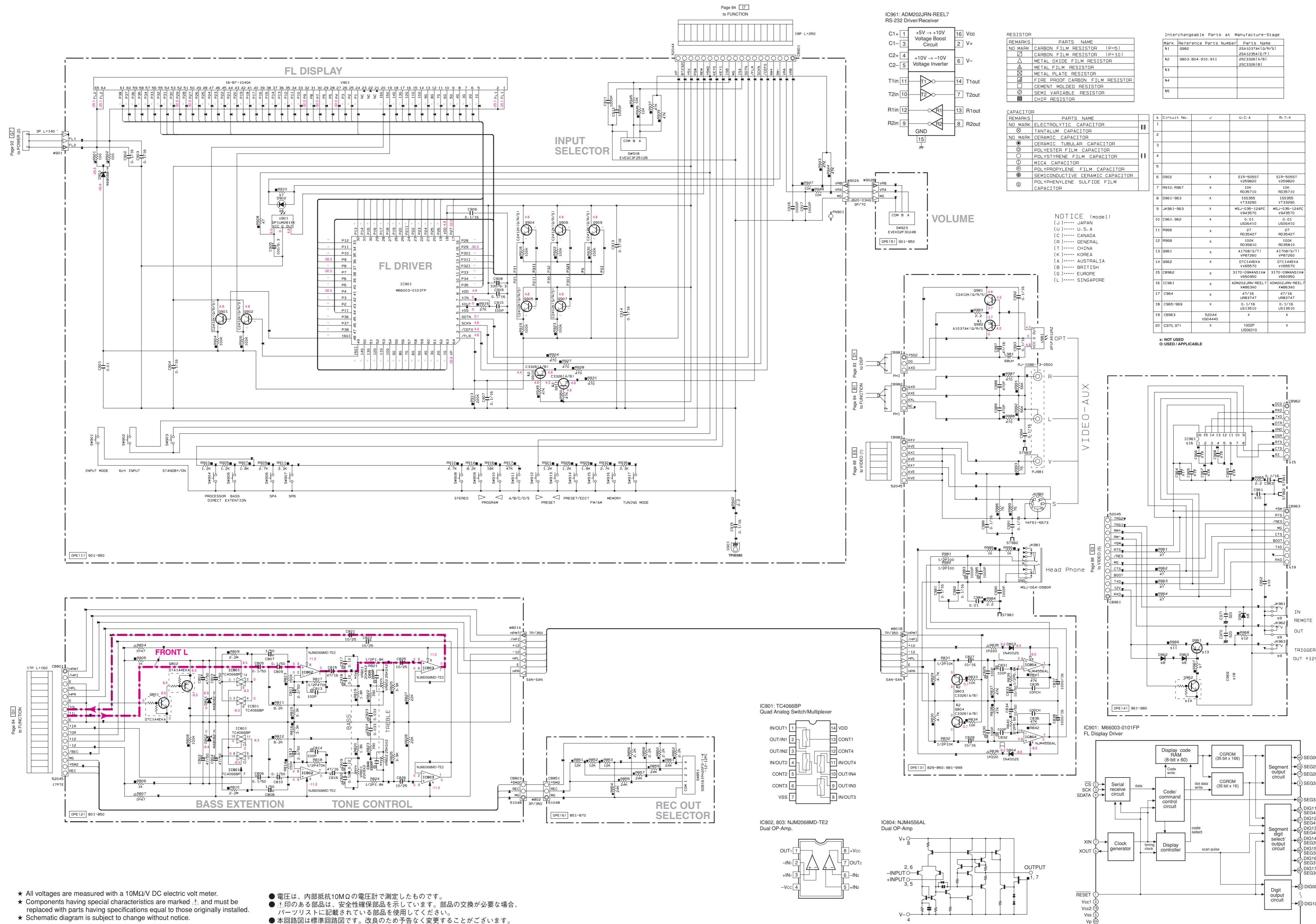
| Mark | Reference Parts Number | Parts Name |
|------|------------------------|-----------------------------|
| R1 | 045-46 | 2SC2878(A)/91 |
| R2 | 019-21-27-28-52 | H65104 1S533 1S5176 |
| R3 | 07-9-11-13-15-17 | A1837/C4793 A1899A/C4834 |



- ★ All voltages are measured with a 10MΩ/V DC electric volt meter.
- ★ Components having special characteristics are marked with a triangle (▲) and must be replaced with parts having specifications equal to those originally installed.
- ★ Schematic diagram is subject to change without notice.

- 電圧は、内部抵抗10MΩの電圧計で測定したものです。
- ▲印のある部品は、安全性確保部品を示しています。部品の交換が必要な場合、パーツリストに記載されている部品を使用してください。
- 本回路図は標準回路図です。改良のため予告なく変更することがございます。

SCHEMATIC DIAGRAM (OPERATION) RX-V2300/DSP-AX-2300



RESISTOR

| REMARKS | PARTS NAME |
|---------|--------------------------------|
| NO MARK | CARBON FILM RESISTOR (P=5) |
| △ | CARBON FILM RESISTOR (P=10) |
| □ | METAL OXIDE FILM RESISTOR |
| ◇ | METAL FILM RESISTOR |
| ○ | METAL PLATE RESISTOR |
| ◇ | FINE GRID CARBON FILM RESISTOR |
| □ | CEMENT MOLDED RESISTOR |
| ◇ | SEMI VARIABLE RESISTOR |
| ■ | CHIP RESISTOR |

Interchangeable Parts at Manufacture Stage

| Mark | Reference Parts Number | Parts Name |
|------|------------------------|--------------------|
| k1 | 0982 | 25A1337A1 (U/P/S1) |
| k2 | 0903, 804, 910, 911 | 25A1235A1E/F 1 |
| k3 | | 25C3261A/B 1 |
| k4 | | 25C3261A/B 1 |
| k5 | | |

CAPACITOR

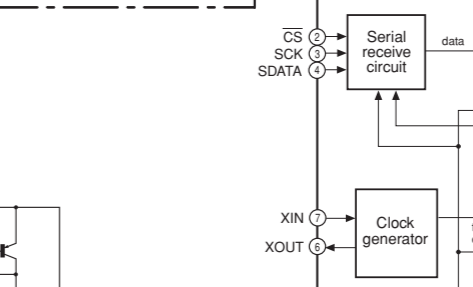
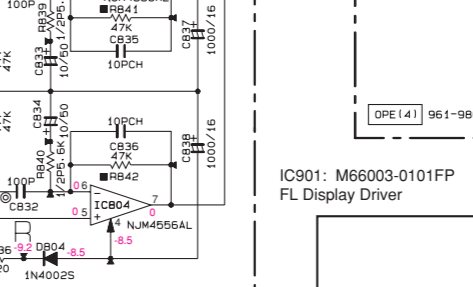
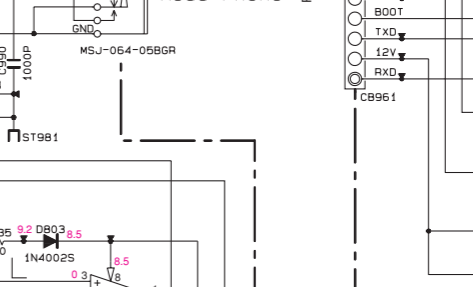
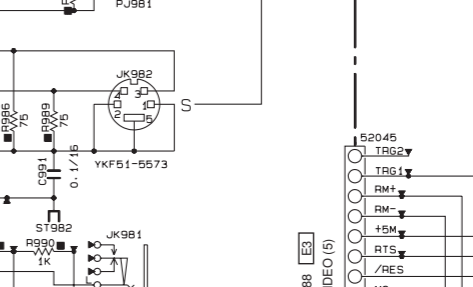
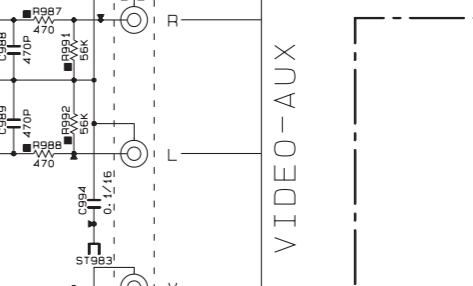
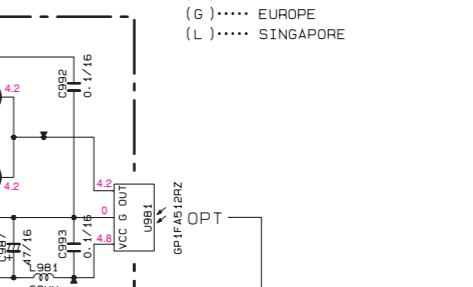
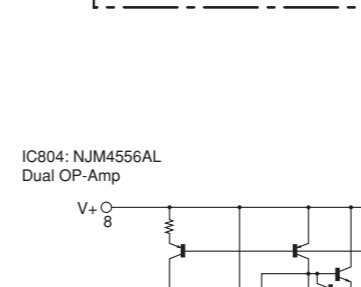
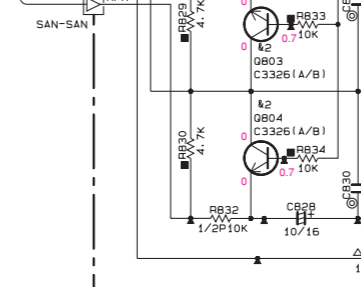
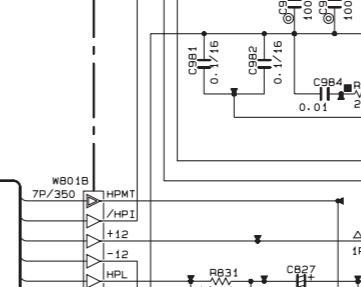
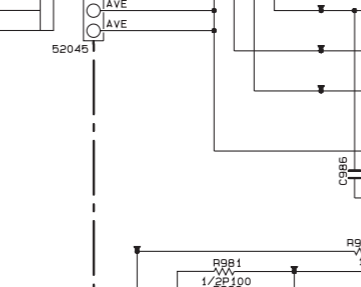
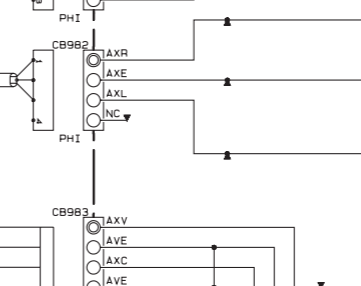
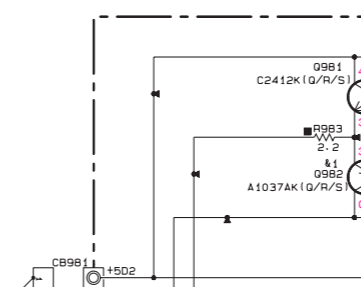
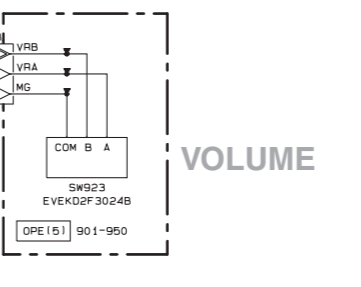
| REMARKS | PARTS NAME |
|---------|--------------------------------------|
| NO MARK | ELECTROLYTIC CAPACITOR |
| ⊗ | TANTALUM CAPACITOR |
| NO MARK | CERAMIC CAPACITOR |
| ○ | CERAMIC TUBULAR CAPACITOR |
| ⊙ | POLYESTER FILM CAPACITOR |
| ⊚ | POLYSTYRENE FILM CAPACITOR |
| ⊛ | MICA CAPACITOR |
| ⊜ | POLYPROPYLENE FILM CAPACITOR |
| ⊝ | SEMICONDUCTIVE CERAMIC CAPACITOR |
| ⊞ | POLYPHENYLENE SULFIDE FILM CAPACITOR |

NOTICE (mode1)

(J)..... JAPAN
(U)..... U.S.A
(C)..... CANADA
(R)..... GENERAL
(T)..... CHINA
(K)..... KOREA
(A)..... AUSTRALIA
(B)..... BRITISH
(G)..... EUROPE
(L)..... SINGAPORE

| Part No. | U.C.A | R.T.X |
|----------|-----------|-------|
| 1 | | |
| 2 | | |
| 3 | | |
| 4 | | |
| 5 | | |
| 6 | D902 | X |
| 7 | R910-R967 | X |
| 8 | D961-963 | X |
| 9 | JK961-963 | X |
| 10 | C961, 962 | X |
| 11 | R966 | X |
| 12 | R968 | X |
| 13 | D961 | X |
| 14 | D962 | X |
| 15 | C962 | X |
| 16 | IC961 | X |
| 17 | C964 | X |
| 18 | C965-969 | X |
| 19 | C963 | X |
| 20 | C970, 971 | X |

⊕: NOT USED
⊙: USED / APPLICABLE



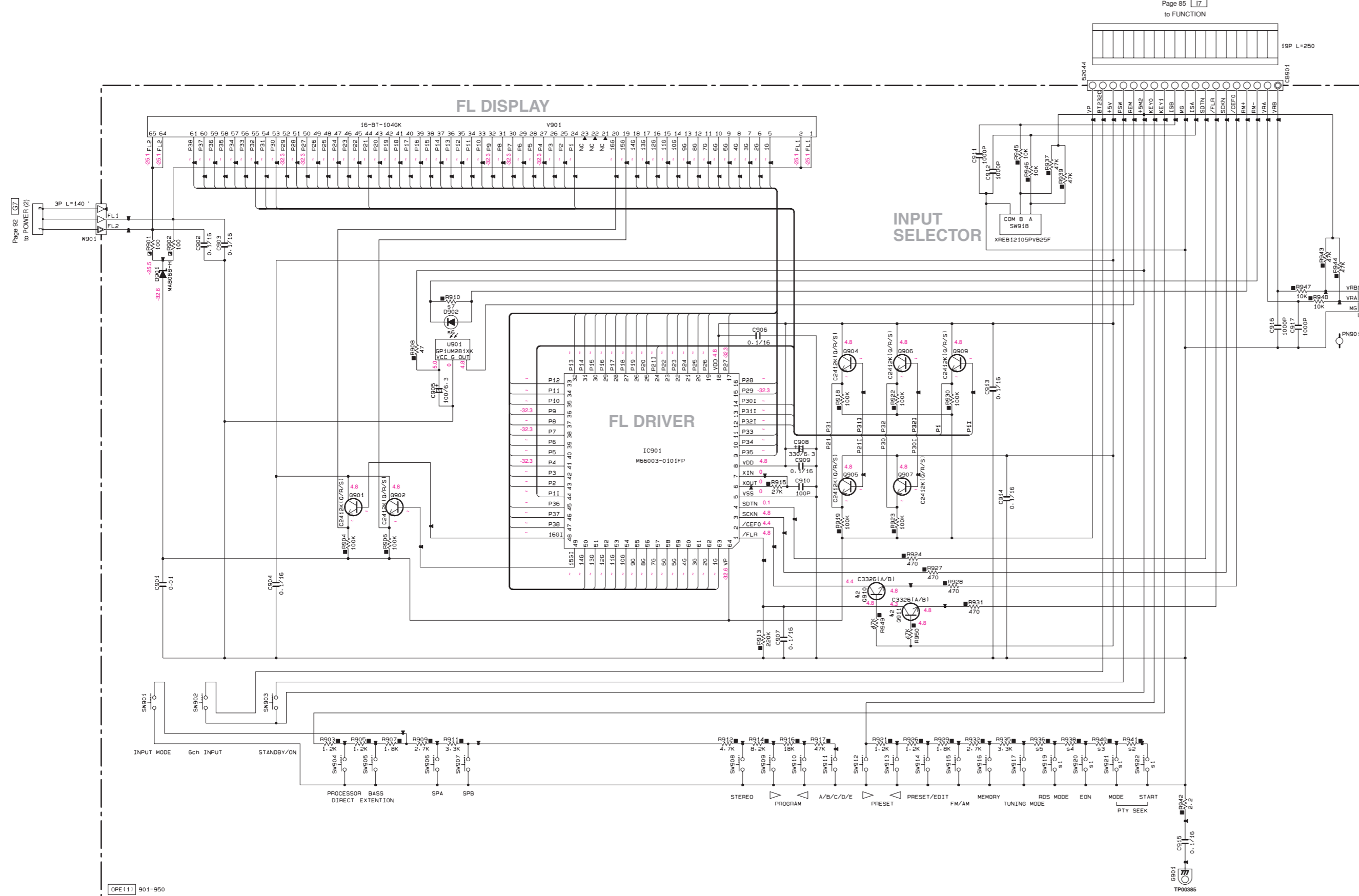
★ All voltages are measured with a 10MΩ/V DC electric volt meter.
★ Components having special characteristics are marked Δ and must be replaced with parts having specifications equal to those originally installed.
★ Schematic diagram is subject to change without notice.

● 電圧は、内部抵抗10MΩの電圧計で測定したものです。
● Δ 印のある部品は、安全性確保部品を示しています。部品の交換が必要な場合、パーツリストに記載されている部品を使用してください。
● 本回路図は標準回路図です。改良のため予告なく変更することがございます。

SCHEMATIC DIAGRAM (OPERATION) RX-V1300/RX-V1300RDS/HTR-5590/DSP-AX1300

RX-V2300/DSP-AX2300/RX-V1300/RX-V1300RDS/HTR-5590/DSP-AX1300

Page 85 to FUNCTION



| REMARKS | PARTS NAME |
|---------|---------------------------------|
| NO MARK | CARBON FILM RESISTOR (P=5) |
| △ | CARBON FILM RESISTOR (P=10) |
| ▲ | METAL OXIDE FILM RESISTOR |
| ▴ | METAL FILM RESISTOR |
| ▾ | METAL PLATE RESISTOR |
| ⊖ | FIRE-PROOF CARBON FILM RESISTOR |
| ⊕ | CEMENT MOLDED RESISTOR |
| ⊗ | SEMI-VARIABLE RESISTOR |
| ■ | CHIP RESISTOR |

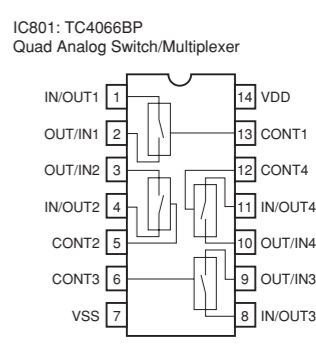
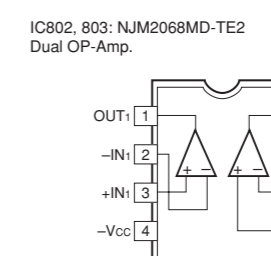
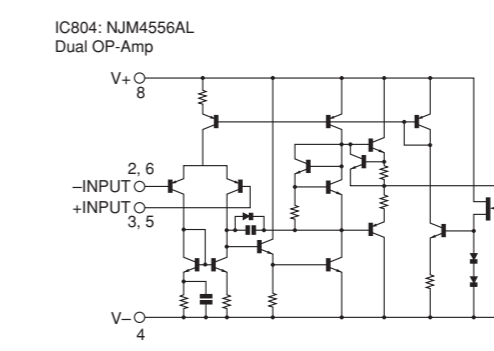
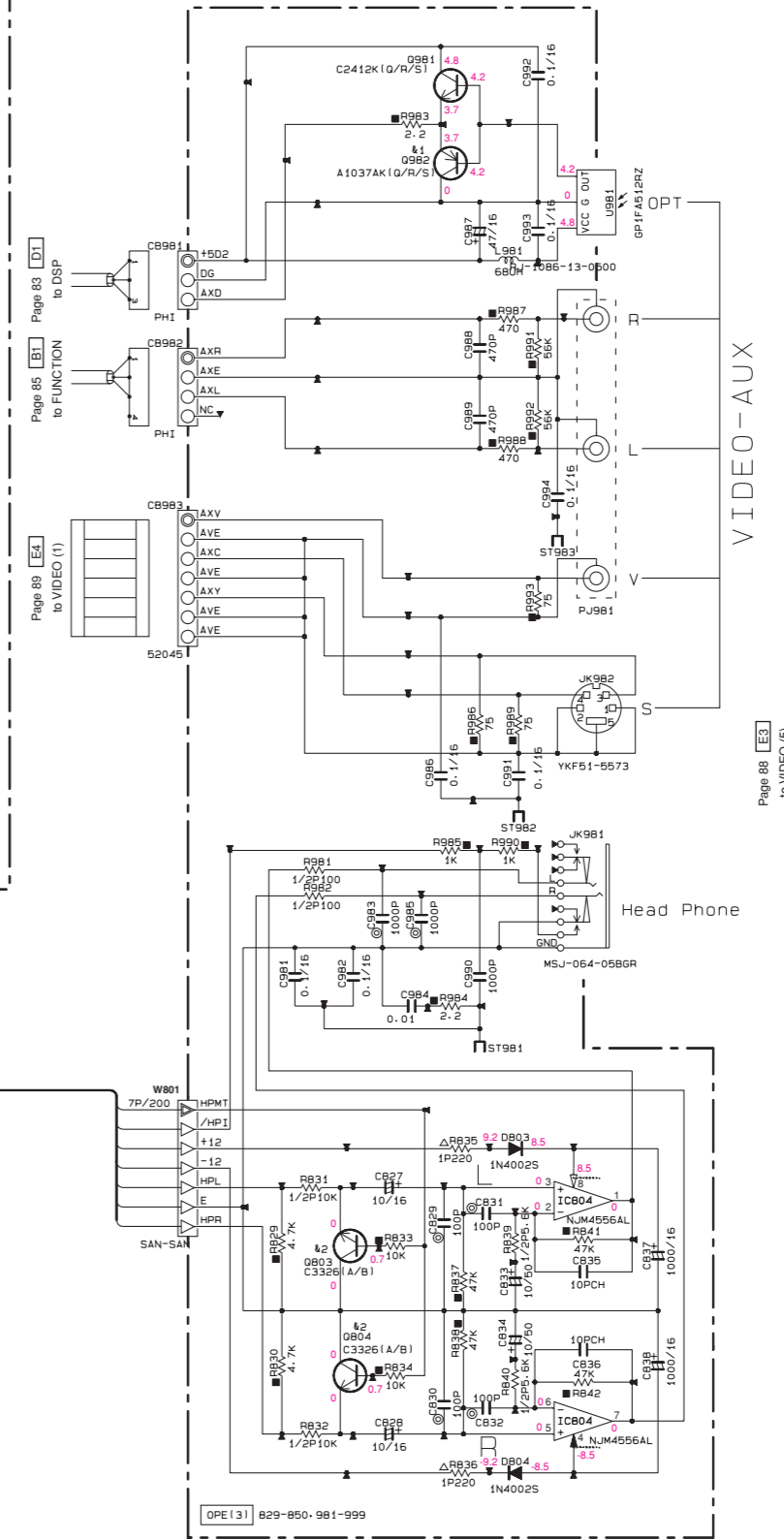
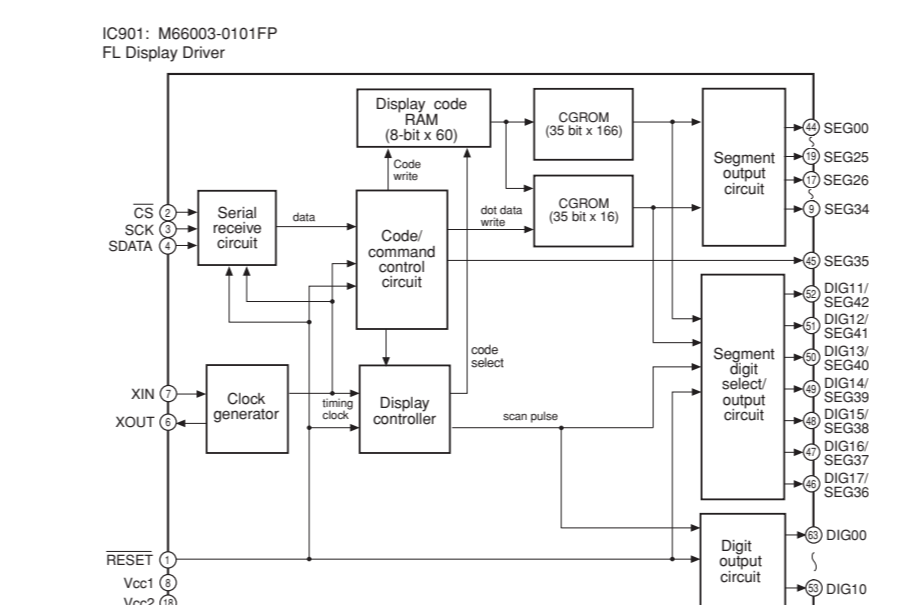
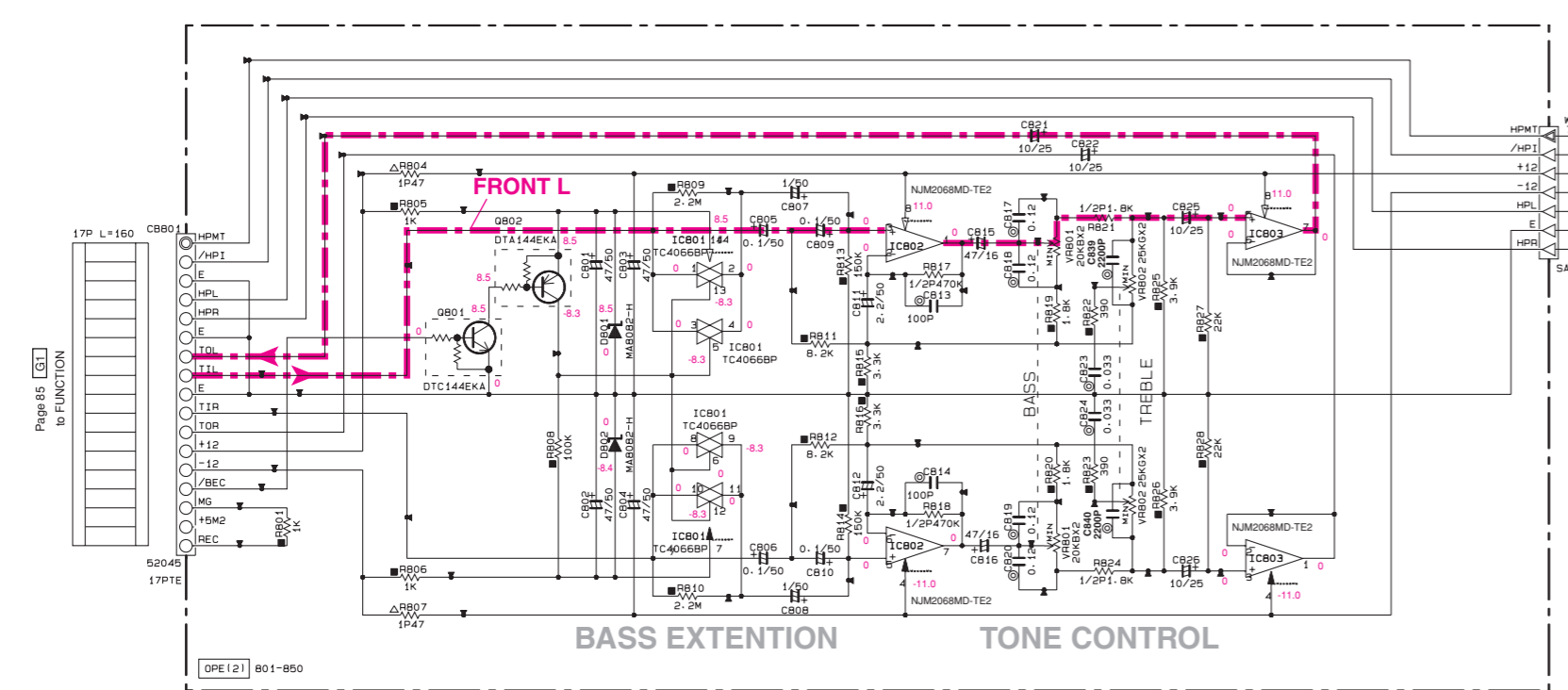
| Mark | Reference Parts Number | Parts Name |
|------|------------------------|------------------|
| K1 | 0982 | 25A1037AK1G/R/S1 |
| K2 | 0803.804.910.911 | 25C1239A1E/F1 |
| K3 | | 25C13261A/R1 |
| K4 | | 25C33261B1 |
| K5 | | |

| REMARKS | PARTS NAME |
|---------|--------------------------------------|
| NO MARK | ELECTROLYTIC CAPACITOR |
| ⊗ | TANTALUM CAPACITOR |
| ○ | CERAMIC CAPACITOR |
| ⊙ | CERAMIC TUBULAR CAPACITOR |
| ⊖ | POLYESTER FILM CAPACITOR |
| ⊕ | POLYPROPYLENE FILM CAPACITOR |
| ⊗ | MICA CAPACITOR |
| ⊙ | POLYPROPYLENE FILM CAPACITOR |
| ⊖ | SEMICONDUCTIVE CERAMIC CAPACITOR |
| ⊕ | POLYPHENYLENE SULFIDE FILM CAPACITOR |

| Mark | Circuit No. | J-R-T-K | U-C-A | B-G |
|------|-------------|---------|-----------------------|--------------|
| 1 | SW19-922 | X | X | V475710 |
| 2 | R941 | X | X | 47K RD36747 |
| 3 | R940 | X | X | 18K RD35719 |
| 4 | R938 | X | X | 5.2K RD35682 |
| 5 | R936 | X | X | 4.7K RD35647 |
| 6 | D902 | X | S1R-5085T V259820 | X |
| 7 | R910-R967 | X | 10K RD35710 | X |
| 8 | D961-963 | X | 153395 Y133950 | X |
| 9 | JK961-963 | X | MSJ-036-1242C V943570 | X |
| 10 | C961-C962 | X | 100P US06410 | X |
| 11 | R966 | X | 27 RD35427 | X |
| 12 | R968 | X | 100K RD35810 | X |
| 13 | D961 | X | A170815/T71 V97860 | X |
| 14 | D962 | X | OTC14EKA VV69570 | X |
| 15 | C970, 971 | X | 100P US06310 | X |

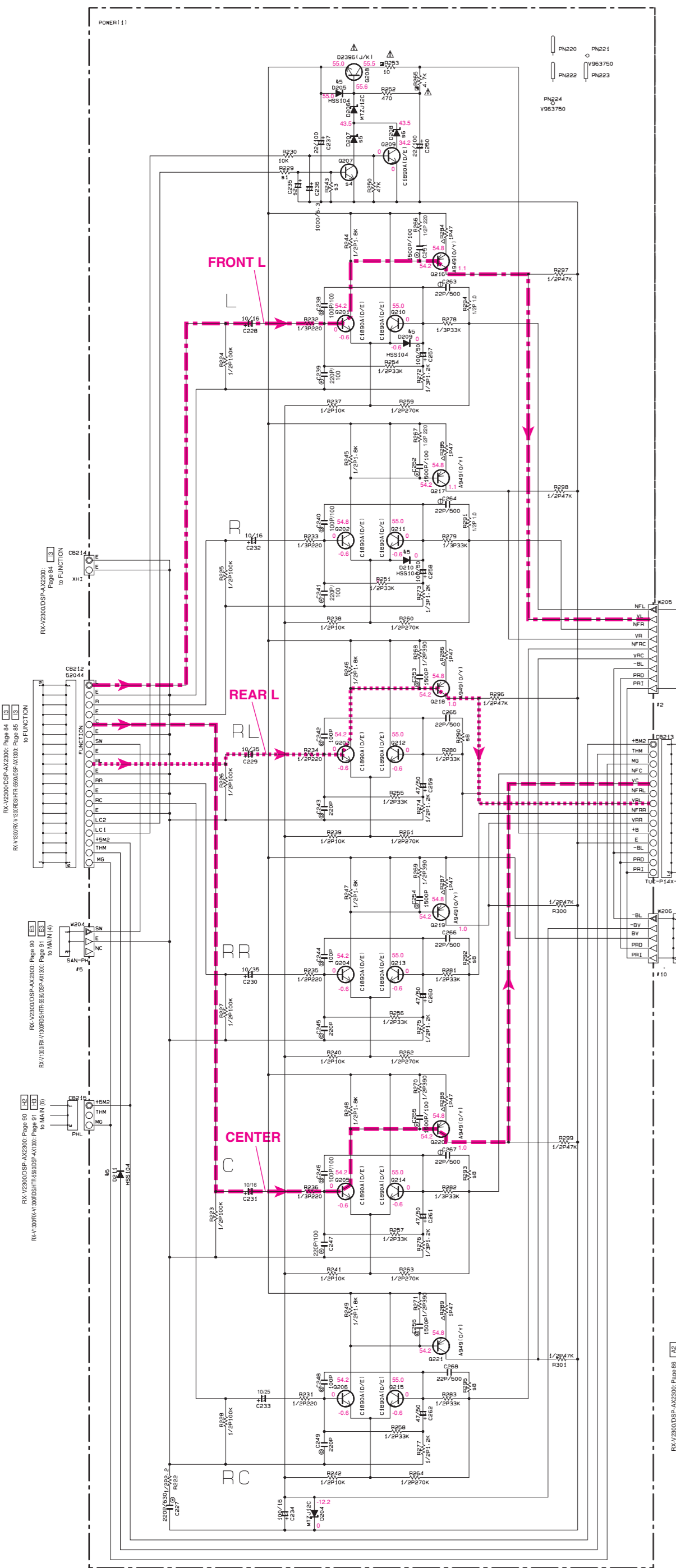
X: NOT USED
O: USED / APPLICABLE

NOTICE (model)
(J)..... JAPAN
(U)..... U.S.A
(C)..... CANADA
(R)..... GENERAL
(T)..... CHINA
(K)..... KOREA
(A)..... AUSTRALIA
(B)..... BRITISH
(G)..... EUROPE
(L)..... SINGAPORE



- ★ All voltages are measured with a 10MΩ/V DC electric volt meter.
- ★ Components having special characteristics are marked △ and must be replaced with parts having specifications equal to those originally installed.
- ★ Schematic diagram is subject to change without notice.
- 電圧は、内部抵抗10MΩの電圧計で測定したものです。
- △印のある部品は、安全性確保部品を示しています。部品の交換が必要な場合、パーツリストに記載されている部品を使用してください。
- 本回路図は標準回路図です。改良のため予告なく変更することがございます。

SCHEMATIC DIAGRAM (POWER)



RESISTOR

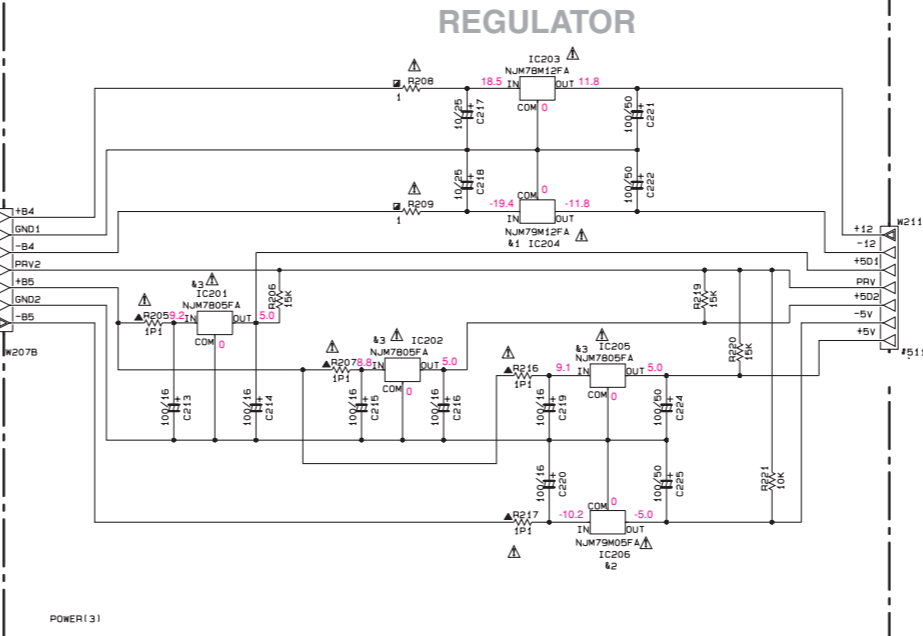
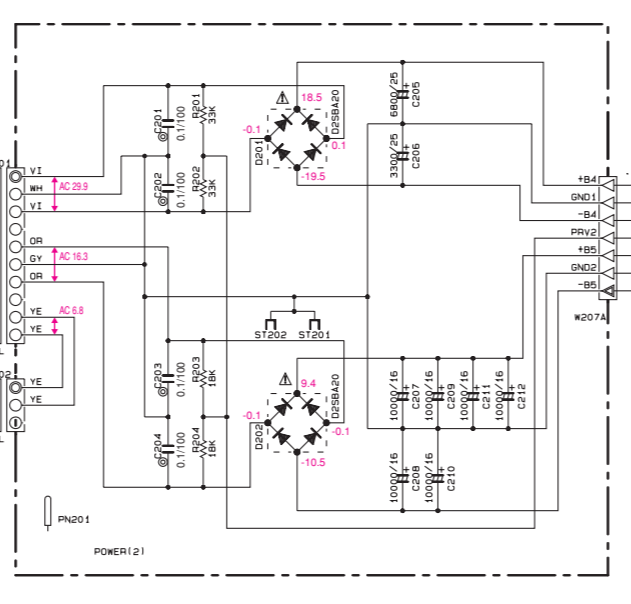
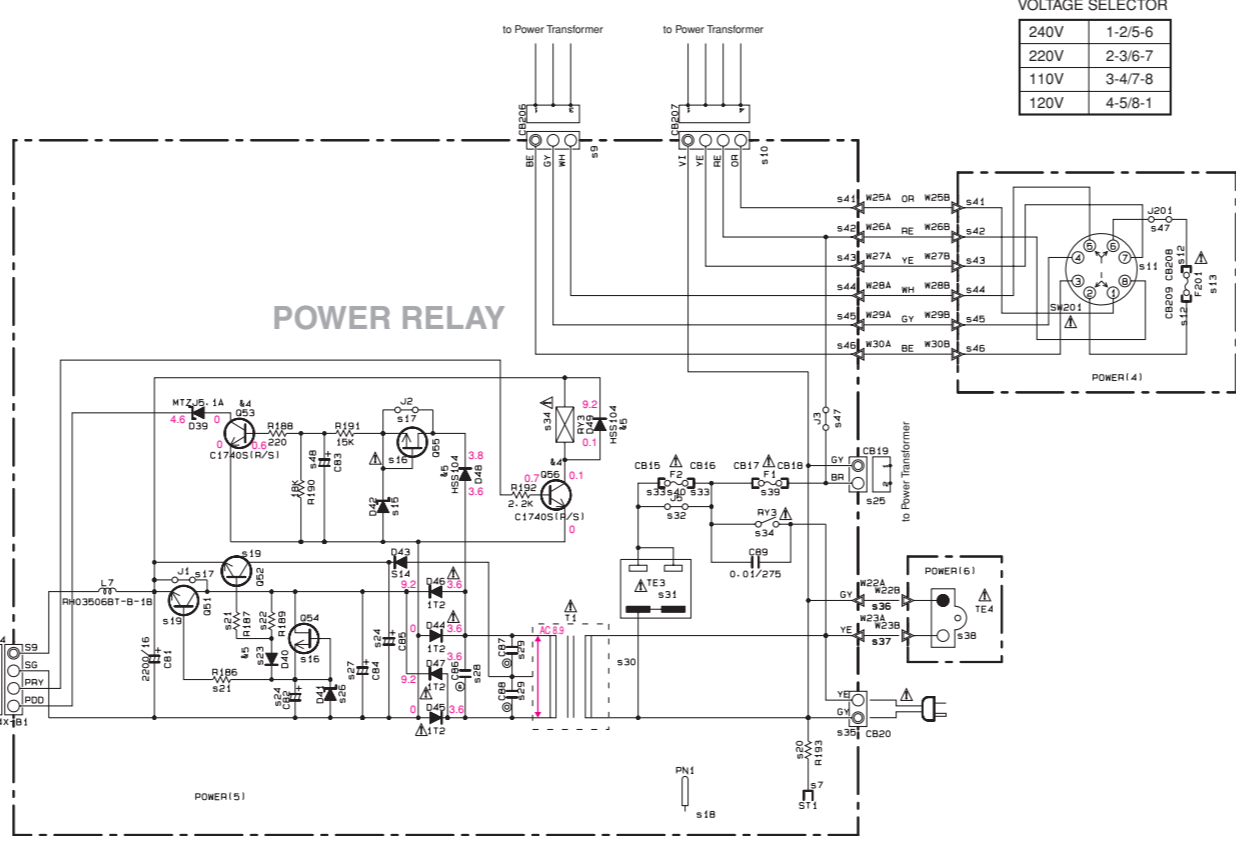
| REMARKS | PARTS NAME |
|---------|---------------------------------|
| NO MARK | CARBON FILM RESISTOR (P=5) |
| □ | CARBON FILM RESISTOR (P=10) |
| △ | METAL OXIDE FILM RESISTOR |
| ▲ | METAL FILM RESISTOR |
| ▢ | METAL PLATE RESISTOR |
| ▭ | FINE PROF. CARBON FILM RESISTOR |
| ■ | CEMENT MOLDED RESISTOR |
| ◊ | SEMI VARIABLE RESISTOR |
| ● | CHIP RESISTOR |

CAPACITOR

| REMARKS | PARTS NAME |
|---------|----------------------------------|
| ⊖ | ELECTROLYTIC CAPACITOR |
| ⊕ | TANTALUM CAPACITOR |
| NO MARK | CERAMIC CAPACITOR |
| ⊙ | CERAMIC TUBULAR CAPACITOR |
| ⊗ | POLYESTER FILM CAPACITOR |
| ○ | POLYSTYRENE FILM CAPACITOR |
| ⊚ | POLYPROPYLENE FILM CAPACITOR |
| ● | SEMICONDUCTIVE CERAMIC CAPACITOR |

NOTICE (mode1)

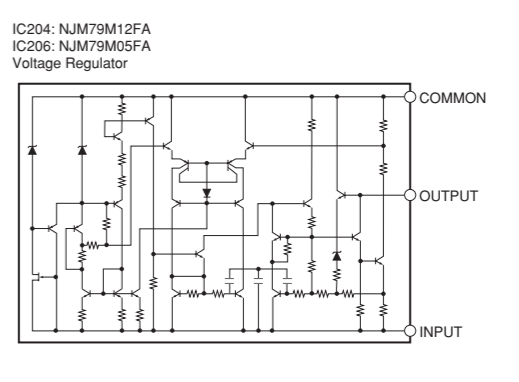
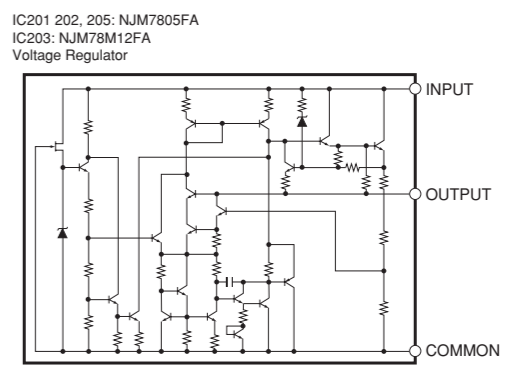
(J)..... JAPAN
 (U)..... U.S.A
 (C)..... CANADA
 (R)..... GENERAL
 (T)..... CHINA
 (K)..... KOREA
 (A)..... AUSTRALIA
 (B)..... BRITISH
 (G)..... EUROPE
 (L)..... SINGAPORE



| DSP-AX1300 | | RX-V1300 | | RX-V1300RDS | | HTR-5590 | |
|------------|-----------------|----------|------------------|-------------|------------------|----------|------------------|
| Q | IC | Q | IC | Q | IC | Q | IC |
| R1 | R209 | x | HF5010 | x | HF5010 | x | HF5010 |
| R2 | R235 | x | 1000/6-3 | x | 1000/6-3 | x | 1000/6-3 |
| R3 | R243 | x | 47K | x | 47K | x | 47K |
| R4 | R207 | x | 25C1800A | x | 25C1800A | x | 25C1800A |
| R5 | R207 | x | W12.0-1A | x | W12.0-1A | x | W12.0-1A |
| R6 | R208 | x | W12.00C | x | W12.00C | x | W12.00C |
| R7 | R11 | x | x | x | x | x | x |
| R8 | R201, R201, 205 | x | 1/201-0 | x | 1/201-0 | x | 1/201-0 |
| R9 | CR206 | x | 8395-7H | x | 8395-7H | x | 8395-7H |
| R10 | CR207 | x | 8495-7H | x | 8495-7H | x | 8495-7H |
| R11 | SW201 | x | V718230 | x | V718230 | x | V718230 |
| R12 | CR206-CR209 | x | VP20650 | x | VP20650 | x | VP20650 |
| R13 | R201 | x | T4-0AL350V | x | T4-0AL350V | x | T4-0AL350V |
| R14 | R203 | x | Y99270 | x | Y99270 | x | Y99270 |
| R15 | R204 | x | W12.00-2C | x | W12.00-2C | x | W12.00-2C |
| R16 | R204-206 | x | V549810 | x | V549810 | x | V549810 |
| R17 | CR1-2 | x | IE10282 | x | IE10282 | x | IE10282 |
| R18 | R11 | x | x | x | x | x | x |
| R19 | R21-202 | x | x | x | x | x | x |
| R20 | R193 | x | D20861(LK1) | x | D20861(LK1) | x | D20861(LK1) |
| R21 | R190-192 | x | HF5010 | x | HF5010 | x | HF5010 |
| R22 | R190 | x | 100 | x | 100 | x | 100 |
| R23 | R190 | x | HF4010 | x | HF4010 | x | HF4010 |
| R24 | R190 | x | HF4010 | x | HF4010 | x | HF4010 |
| R25 | R190 | x | HF4010 | x | HF4010 | x | HF4010 |
| R26 | R190 | x | HF4010 | x | HF4010 | x | HF4010 |
| R27 | R190 | x | HF4010 | x | HF4010 | x | HF4010 |
| R28 | R190 | x | HF4010 | x | HF4010 | x | HF4010 |
| R29 | R190 | x | HF4010 | x | HF4010 | x | HF4010 |
| R30 | R190 | x | HF4010 | x | HF4010 | x | HF4010 |
| R31 | R190 | x | HF4010 | x | HF4010 | x | HF4010 |
| R32 | R190 | x | HF4010 | x | HF4010 | x | HF4010 |
| R33 | CR18-CR19 | x | VP20650 | x | VP20650 | x | VP20650 |
| R34 | R193 | x | DL5901-01W10-15M | x | DL5901-01W10-15M | x | DL5901-01W10-15M |
| R35 | CR20 | x | VP36950 | x | VP36950 | x | VP36950 |
| R36 | R20 | x | W15012 | x | W15012 | x | W15012 |
| R37 | R23 | x | W16012 | x | W16012 | x | W16012 |
| R38 | TE4 | x | W1908-5 | x | W1908-5 | x | W1908-5 |
| R39 | F1 | x | 8A125V | x | 8A125V | x | 8A125V |
| R40 | F2 | x | x | x | x | x | x |
| R41 | R26 | x | REC | x | REC | x | REC |
| R42 | R26 | x | REC | x | REC | x | REC |
| R43 | R27 | x | VEL10R | x | VEL10R | x | VEL10R |
| R44 | R28 | x | WH18 | x | WH18 | x | WH18 |
| R45 | R29 | x | GRA | x | GRA | x | GRA |
| R46 | R30 | x | BLU6018 | x | BLU6018 | x | BLU6018 |
| R47 | CR1-201 | x | x | x | x | x | x |
| R48 | CR3 | x | 47/16 | x | 47/16 | x | 47/16 |

Interchangeable Parts at Manufacture-Stage

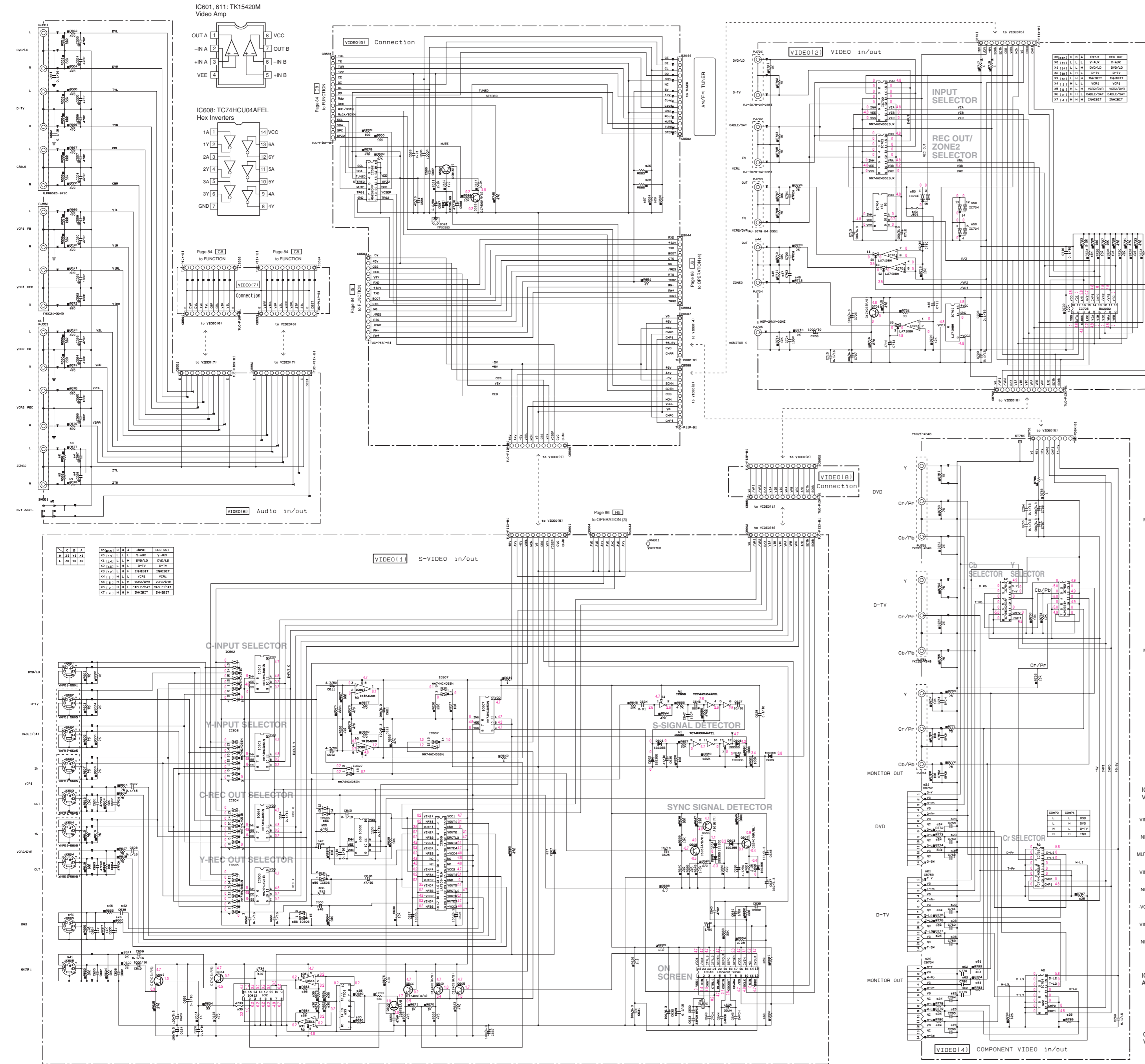
| Max | Reference Parts Number | Parts Name |
|-----|---------------------------|----------------------------------|
| 11 | IC204 | NJM7812FA AN7812F |
| 12 | IC206 | NJM7805FA AN7805F |
| 13 | IC201, 202, 205 | NJM7805FA AN7805F |
| 14 | CR3-56 | 25C174051A/G1 25C33114(G/R/S) |
| 15 | D40, 48, 49, 205, 209-211 | H55104 155133 155176 |



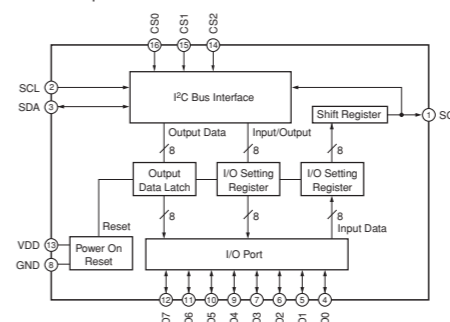
★ All voltages are measured with a 10MΩ/V DC electric volt meter.
 ★ Components having special characteristics are marked Δ and must be replaced with parts having specifications equal to those originally installed.
 ★ Schematic diagram is subject to change without notice.

●電圧は、内部抵抗10MΩの電圧計で測定したものです。
 ● Δ 印のある部品は、安全性確保部品を示しています。部品の交換が必要な場合、パーツリストに記載されている部品を使用してください。
 ●本回路図は標準回路図です。改良のため予告なく変更することがございます。

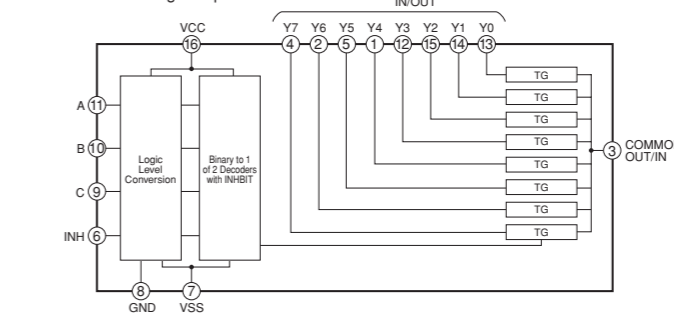
SCHEMATIC DIAGRAM (VIDEO) RX-V2300/DSP-AX-2300



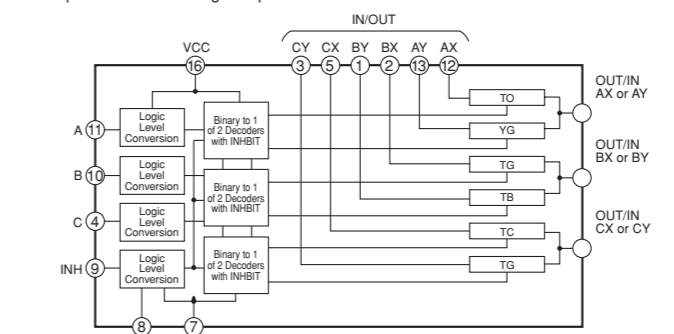
IC582: M62320FP
IO Expander



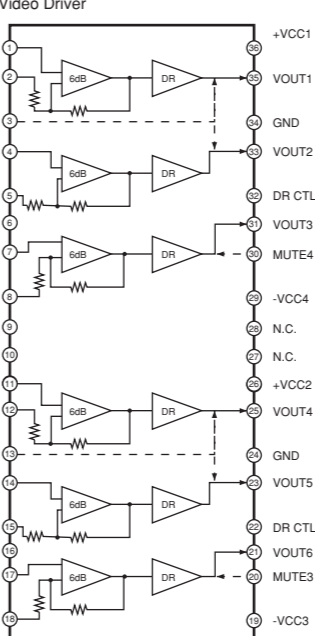
IC602-605: MM74HC4051N
IC702, 703: MM74HC4051SX
8-Channel Analog Multiplexer



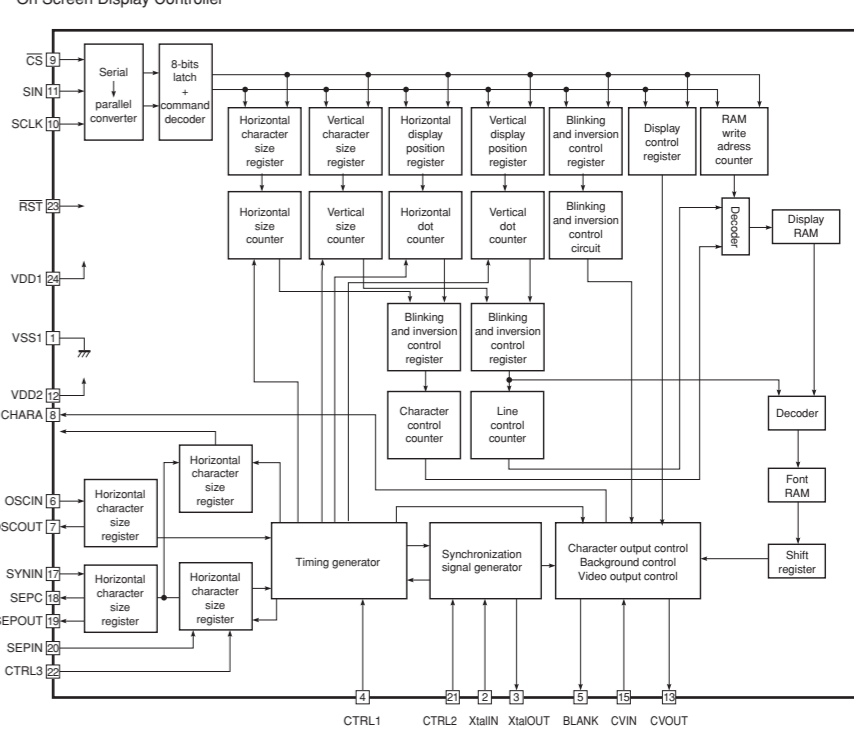
IC606, 607: MM74HC4053N
IC612, 704: MM74HC4053SX
Triple 2-Channel Analog Multiplexer



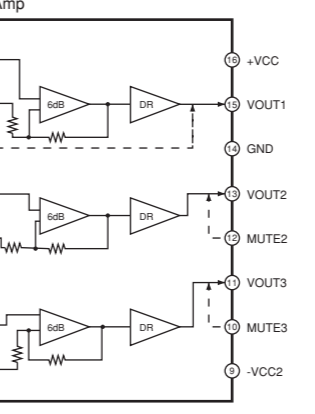
IC609: LA7109
75Ω Video Driver



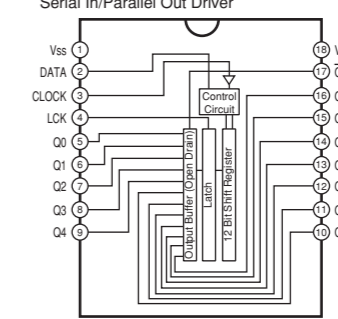
IC610: LC74781-9798
On Screen Display Controller



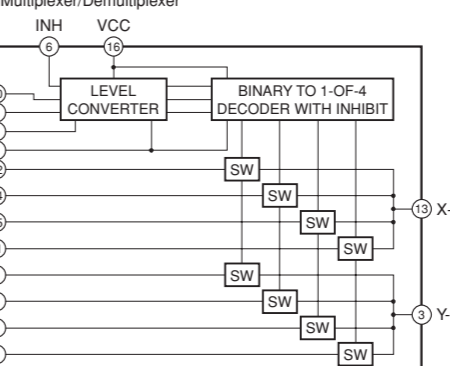
IC701: LA7108M
Video Amp



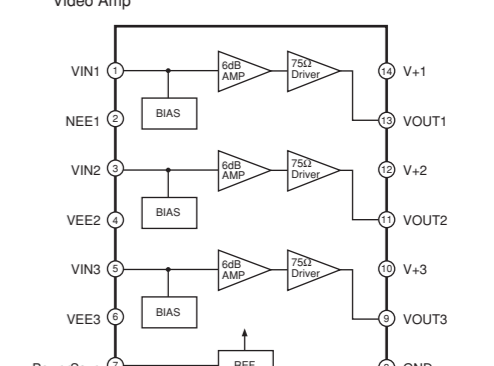
IC705: BU2092
Serial In/Parallel Out Driver



IC751, 753, 754: TC74HC4052AF
Analog Multiplexer/Demultiplexer



IC752: NJM2581M
Video Amp



| IC | Part No. | QTY | U.C. | U.S.A. | A |
|-----|----------|-----|--------|--------|--------|
| 1 | IC101 | 1 | U.S.A. | U.S.A. | U.S.A. |
| 2 | IC102 | 1 | U.S.A. | U.S.A. | U.S.A. |
| 3 | IC103 | 1 | U.S.A. | U.S.A. | U.S.A. |
| 4 | IC104 | 1 | U.S.A. | U.S.A. | U.S.A. |
| 5 | IC105 | 1 | U.S.A. | U.S.A. | U.S.A. |
| 6 | IC106 | 1 | U.S.A. | U.S.A. | U.S.A. |
| 7 | IC107 | 1 | U.S.A. | U.S.A. | U.S.A. |
| 8 | IC108 | 1 | U.S.A. | U.S.A. | U.S.A. |
| 9 | IC109 | 1 | U.S.A. | U.S.A. | U.S.A. |
| 10 | IC110 | 1 | U.S.A. | U.S.A. | U.S.A. |
| 11 | IC111 | 1 | U.S.A. | U.S.A. | U.S.A. |
| 12 | IC112 | 1 | U.S.A. | U.S.A. | U.S.A. |
| 13 | IC113 | 1 | U.S.A. | U.S.A. | U.S.A. |
| 14 | IC114 | 1 | U.S.A. | U.S.A. | U.S.A. |
| 15 | IC115 | 1 | U.S.A. | U.S.A. | U.S.A. |
| 16 | IC116 | 1 | U.S.A. | U.S.A. | U.S.A. |
| 17 | IC117 | 1 | U.S.A. | U.S.A. | U.S.A. |
| 18 | IC118 | 1 | U.S.A. | U.S.A. | U.S.A. |
| 19 | IC119 | 1 | U.S.A. | U.S.A. | U.S.A. |
| 20 | IC120 | 1 | U.S.A. | U.S.A. | U.S.A. |
| 21 | IC121 | 1 | U.S.A. | U.S.A. | U.S.A. |
| 22 | IC122 | 1 | U.S.A. | U.S.A. | U.S.A. |
| 23 | IC123 | 1 | U.S.A. | U.S.A. | U.S.A. |
| 24 | IC124 | 1 | U.S.A. | U.S.A. | U.S.A. |
| 25 | IC125 | 1 | U.S.A. | U.S.A. | U.S.A. |
| 26 | IC126 | 1 | U.S.A. | U.S.A. | U.S.A. |
| 27 | IC127 | 1 | U.S.A. | U.S.A. | U.S.A. |
| 28 | IC128 | 1 | U.S.A. | U.S.A. | U.S.A. |
| 29 | IC129 | 1 | U.S.A. | U.S.A. | U.S.A. |
| 30 | IC130 | 1 | U.S.A. | U.S.A. | U.S.A. |
| 31 | IC131 | 1 | U.S.A. | U.S.A. | U.S.A. |
| 32 | IC132 | 1 | U.S.A. | U.S.A. | U.S.A. |
| 33 | IC133 | 1 | U.S.A. | U.S.A. | U.S.A. |
| 34 | IC134 | 1 | U.S.A. | U.S.A. | U.S.A. |
| 35 | IC135 | 1 | U.S.A. | U.S.A. | U.S.A. |
| 36 | IC136 | 1 | U.S.A. | U.S.A. | U.S.A. |
| 37 | IC137 | 1 | U.S.A. | U.S.A. | U.S.A. |
| 38 | IC138 | 1 | U.S.A. | U.S.A. | U.S.A. |
| 39 | IC139 | 1 | U.S.A. | U.S.A. | U.S.A. |
| 40 | IC140 | 1 | U.S.A. | U.S.A. | U.S.A. |
| 41 | IC141 | 1 | U.S.A. | U.S.A. | U.S.A. |
| 42 | IC142 | 1 | U.S.A. | U.S.A. | U.S.A. |
| 43 | IC143 | 1 | U.S.A. | U.S.A. | U.S.A. |
| 44 | IC144 | 1 | U.S.A. | U.S.A. | U.S.A. |
| 45 | IC145 | 1 | U.S.A. | U.S.A. | U.S.A. |
| 46 | IC146 | 1 | U.S.A. | U.S.A. | U.S.A. |
| 47 | IC147 | 1 | U.S.A. | U.S.A. | U.S.A. |
| 48 | IC148 | 1 | U.S.A. | U.S.A. | U.S.A. |
| 49 | IC149 | 1 | U.S.A. | U.S.A. | U.S.A. |
| 50 | IC150 | 1 | U.S.A. | U.S.A. | U.S.A. |
| 51 | IC151 | 1 | U.S.A. | U.S.A. | U.S.A. |
| 52 | IC152 | 1 | U.S.A. | U.S.A. | U.S.A. |
| 53 | IC153 | 1 | U.S.A. | U.S.A. | U.S.A. |
| 54 | IC154 | 1 | U.S.A. | U.S.A. | U.S.A. |
| 55 | IC155 | 1 | U.S.A. | U.S.A. | U.S.A. |
| 56 | IC156 | 1 | U.S.A. | U.S.A. | U.S.A. |
| 57 | IC157 | 1 | U.S.A. | U.S.A. | U.S.A. |
| 58 | IC158 | 1 | U.S.A. | U.S.A. | U.S.A. |
| 59 | IC159 | 1 | U.S.A. | U.S.A. | U.S.A. |
| 60 | IC160 | 1 | U.S.A. | U.S.A. | U.S.A. |
| 61 | IC161 | 1 | U.S.A. | U.S.A. | U.S.A. |
| 62 | IC162 | 1 | U.S.A. | U.S.A. | U.S.A. |
| 63 | IC163 | 1 | U.S.A. | U.S.A. | U.S.A. |
| 64 | IC164 | 1 | U.S.A. | U.S.A. | U.S.A. |
| 65 | IC165 | 1 | U.S.A. | U.S.A. | U.S.A. |
| 66 | IC166 | 1 | U.S.A. | U.S.A. | U.S.A. |
| 67 | IC167 | 1 | U.S.A. | U.S.A. | U.S.A. |
| 68 | IC168 | 1 | U.S.A. | U.S.A. | U.S.A. |
| 69 | IC169 | 1 | U.S.A. | U.S.A. | U.S.A. |
| 70 | IC170 | 1 | U.S.A. | U.S.A. | U.S.A. |
| 71 | IC171 | 1 | U.S.A. | U.S.A. | U.S.A. |
| 72 | IC172 | 1 | U.S.A. | U.S.A. | U.S.A. |
| 73 | IC173 | 1 | U.S.A. | U.S.A. | U.S.A. |
| 74 | IC174 | 1 | U.S.A. | U.S.A. | U.S.A. |
| 75 | IC175 | 1 | U.S.A. | U.S.A. | U.S.A. |
| 76 | IC176 | 1 | U.S.A. | U.S.A. | U.S.A. |
| 77 | IC177 | 1 | U.S.A. | U.S.A. | U.S.A. |
| 78 | IC178 | 1 | U.S.A. | U.S.A. | U.S.A. |
| 79 | IC179 | 1 | U.S.A. | U.S.A. | U.S.A. |
| 80 | IC180 | 1 | U.S.A. | U.S.A. | U.S.A. |
| 81 | IC181 | 1 | U.S.A. | U.S.A. | U.S.A. |
| 82 | IC182 | 1 | U.S.A. | U.S.A. | U.S.A. |
| 83 | IC183 | 1 | U.S.A. | U.S.A. | U.S.A. |
| 84 | IC184 | 1 | U.S.A. | U.S.A. | U.S.A. |
| 85 | IC185 | 1 | U.S.A. | U.S.A. | U.S.A. |
| 86 | IC186 | 1 | U.S.A. | U.S.A. | U.S.A. |
| 87 | IC187 | 1 | U.S.A. | U.S.A. | U.S.A. |
| 88 | IC188 | 1 | U.S.A. | U.S.A. | U.S.A. |
| 89 | IC189 | 1 | U.S.A. | U.S.A. | U.S.A. |
| 90 | IC190 | 1 | U.S.A. | U.S.A. | U.S.A. |
| 91 | IC191 | 1 | U.S.A. | U.S.A. | U.S.A. |
| 92 | IC192 | 1 | U.S.A. | U.S.A. | U.S.A. |
| 93 | IC193 | 1 | U.S.A. | U.S.A. | U.S.A. |
| 94 | IC194 | 1 | U.S.A. | U.S.A. | U.S.A. |
| 95 | IC195 | 1 | U.S.A. | U.S.A. | U.S.A. |
| 96 | IC196 | 1 | U.S.A. | U.S.A. | U.S.A. |
| 97 | IC197 | 1 | U.S.A. | U.S.A. | U.S.A. |
| 98 | IC198 | 1 | U.S.A. | U.S.A. | U.S.A. |
| 99 | IC199 | 1 | U.S.A. | U.S.A. | U.S.A. |
| 100 | IC200 | 1 | U.S.A. | U.S.A. | U.S.A. |

X: NOT USED
O: USED / APPLICABLE

★ All voltages are measured with a 10MΩ/V DC electric volt meter.
★ Components having special characteristics are marked Δ and must be replaced with parts having specifications equal to those originally installed.
★ Schematic diagram is subject to change without notice.

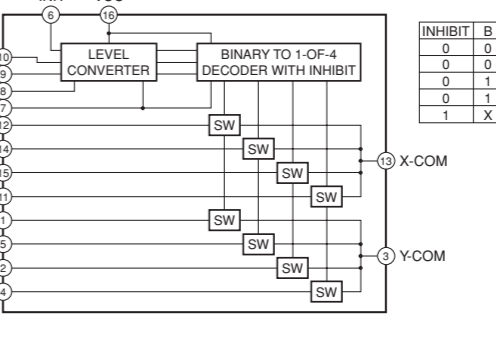
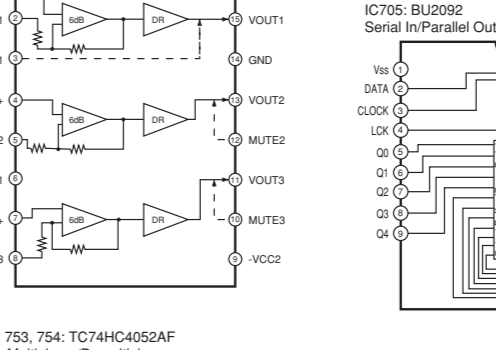
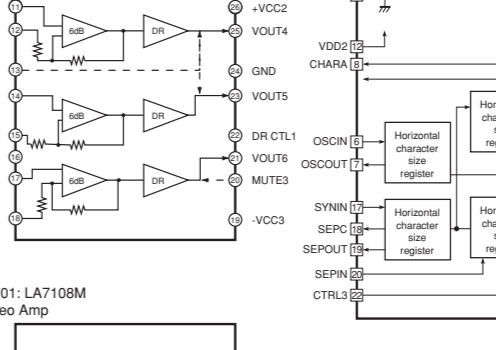
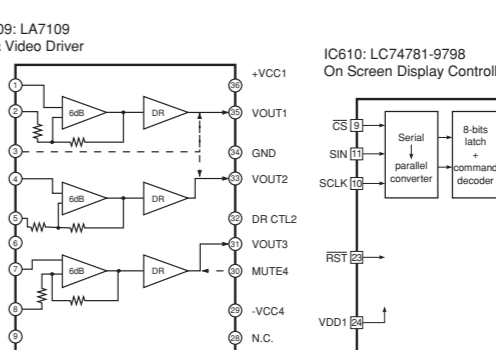
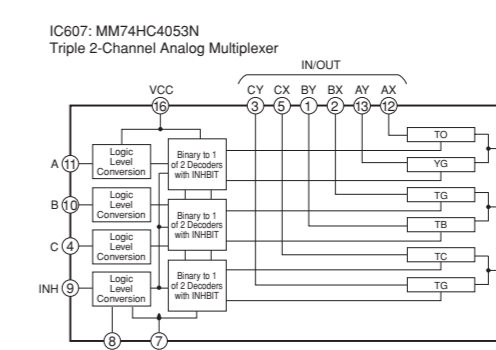
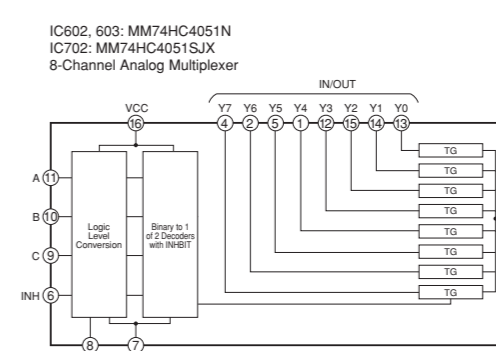
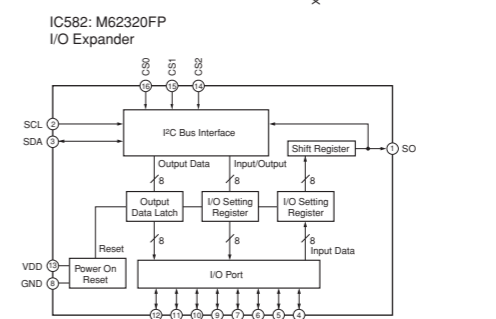
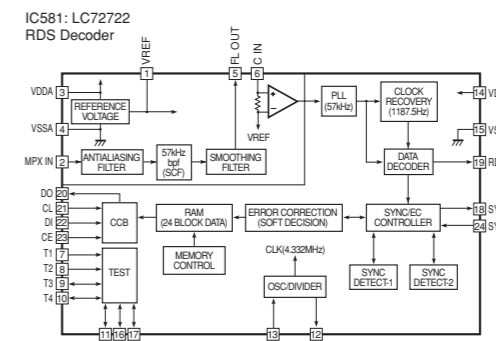
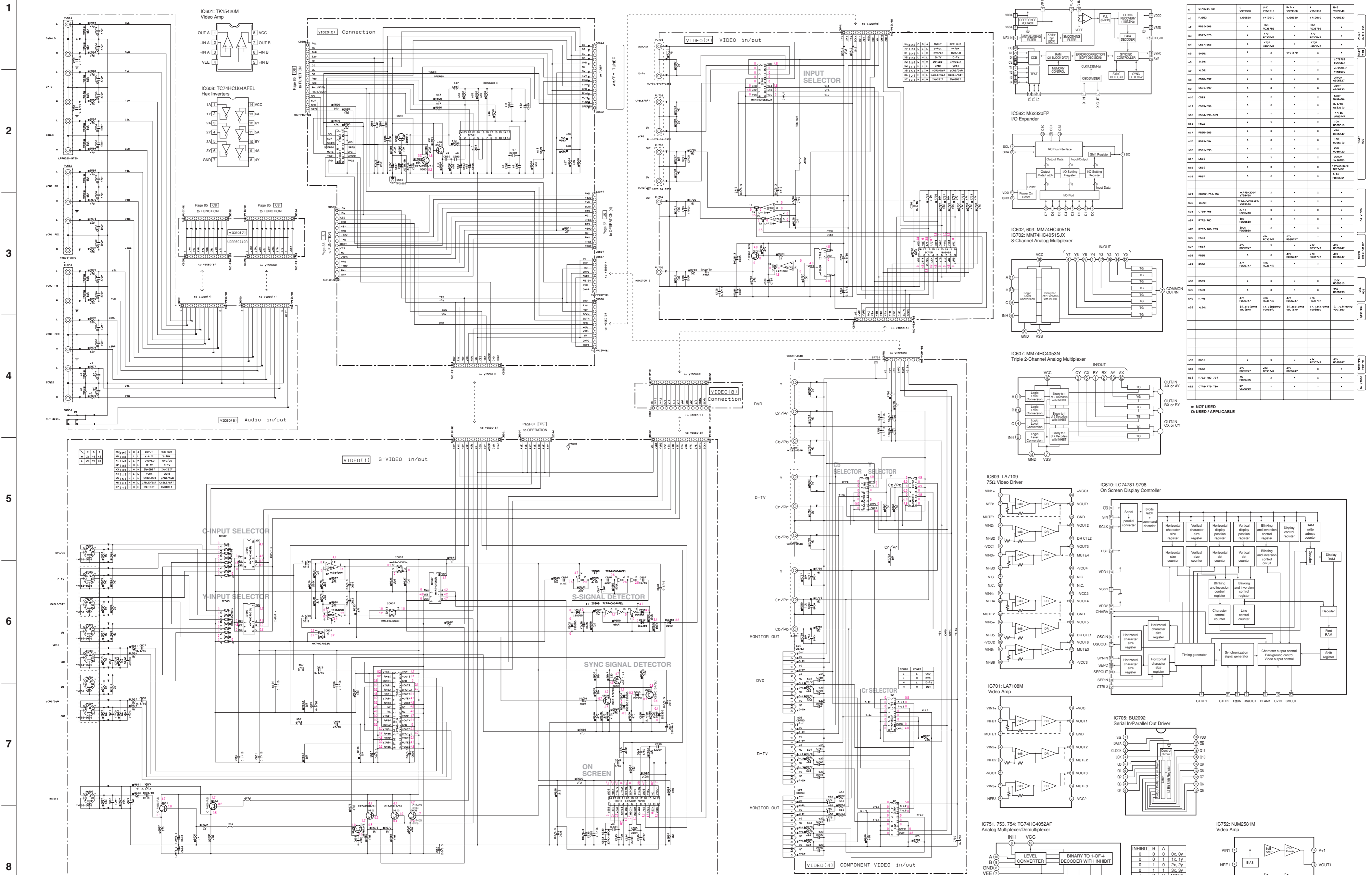
● 電圧は、内部抵抗10MΩの電圧計で測定したものです。
● Δ 印のある部品は、安全性確保部品を示しています。部品の交換が必要な場合、パーツリストに記載されている部品を使用してください。
● 本回路図は標準回路図です。改良のため予告なく変更することがございます。

| REMARKS | PARTS NAME | REMARKS | PARTS NAME |
|------------------------------------|------------|----------------------------------|------------|
| NO NAME CARBON FILM RESISTOR (PWS) | RESISTOR | NO NAME ELECTROLYTIC CAPACITOR | CAPACITOR |
| CARBON FILM RESISTOR (EP10) | RESISTOR | TANTALUM CAPACITOR | CAPACITOR |
| METAL OXIDE FILM RESISTOR | RESISTOR | NO NAME CERAMIC CAPACITOR | CAPACITOR |
| FUSE PROOF CARBON FILM RESISTOR | RESISTOR | CERAMIC TUBULAR CAPACITOR | CAPACITOR |
| POLYESTER FILM CAPACITOR | CAPACITOR | POLYESTER FILM CAPACITOR | CAPACITOR |
| POLYPROPYLENE FILM CAPACITOR | CAPACITOR | POLYPROPYLENE FILM CAPACITOR | CAPACITOR |
| MICA CAPACITOR | CAPACITOR | MICA CAPACITOR | CAPACITOR |
| NON-INDUCTIVE FILM CAPACITOR | CAPACITOR | NON-INDUCTIVE FILM CAPACITOR | CAPACITOR |
| CHIP RESISTOR | RESISTOR | SEMICONDUCTIVE CERAMIC CAPACITOR | CAPACITOR |

| REMARKS | PARTS NAME | REMARKS | PARTS NAME |
|-----------|------------|-----------|------------|
| U.S.A. | U.S.A. | U.S.A. | U.S.A. |
| CANADA | CANADA | CANADA | CANADA |
| GENERAL | GENERAL | GENERAL | GENERAL |
| KOREA | KOREA | KOREA | KOREA |
| AUSTRALIA | AUSTRALIA | AUSTRALIA | AUSTRALIA |
| BRITISH | BRITISH | BRITISH | BRITISH |
| EUROPE | EUROPE | EUROPE | EUROPE |
| SINGAPORE | SINGAPORE | SINGAPORE | SINGAPORE |

■ SCHEMATIC DIAGRAM (VIDEO) RX-V1300/RX-V1300RDS/HTR-5590/DSP-AX1300

RX-V2300/DSP-AX2300/RX-V1300/RX-V1300RDS/HTR-5590/DSP-AX1300



| IC | Part No. | QTY | REMARKS |
|----|-------------------------|-----|-------------------------------------|
| 1 | IC601: TK15420M | 1 | Video Amp |
| 2 | IC608: TC74HC04AFEL | 1 | Hex Inverter |
| 3 | IC602, 603: MM74HC4051N | 2 | 8-Channel Analog Multiplexer |
| 4 | IC702: MM74HC4051UX | 1 | 8-Channel Analog Multiplexer |
| 5 | IC607: MM74HC4053N | 1 | Triple 2-Channel Analog Multiplexer |
| 6 | IC609: LA7109 | 1 | 75Ω Video Driver |
| 7 | IC610: LC74781-9798 | 1 | On Screen Display Controller |
| 8 | IC701: LA7108M | 1 | Video Amp |
| 9 | IC705: BU2092 | 1 | Serial In/Parallel Out Driver |

X: NOT USED
O: USED / APPLICABLE

* All voltages are measured with a 10MΩ/V DC electric voltmeter.
* Components having special characteristics are marked with a triangle and must be replaced with parts having specifications equal to those originally installed.
* Schematic diagram is subject to change without notice.

● 電圧は、内部抵抗10MΩの電圧計で測定したものです。
● 三角形のある部品は、安全性確保部品を示しています。部品の交換が必要な場合、パーツリストに記載されている部品を使用してください。
● 本回路図は標準回路図です。改良のため予告なく変更することがございます。

| RESISTOR | REMARKS | PARTS NAME |
|----------|---------|------------|
| 10K | RES | RESISTOR |
| 100K | RES | RESISTOR |
| 1M | RES | RESISTOR |
| 10M | RES | RESISTOR |

| CAPACITOR | REMARKS | PARTS NAME |
|-----------|---------|------------|
| 100P | CAP | CAPACITOR |
| 10N | CAP | CAPACITOR |
| 100N | CAP | CAPACITOR |
| 1000P | CAP | CAPACITOR |

| INTERCHANGEABLE PARTS | REMARKS | PARTS NAME |
|-----------------------|---------|-------------------------|
| 1000 | IC | IC601: TK15420M |
| 1001 | IC | IC608: TC74HC04AFEL |
| 1002 | IC | IC602, 603: MM74HC4051N |
| 1003 | IC | IC702: MM74HC4051UX |
| 1004 | IC | IC607: MM74HC4053N |
| 1005 | IC | IC609: LA7109 |
| 1006 | IC | IC610: LC74781-9798 |
| 1007 | IC | IC701: LA7108M |
| 1008 | IC | IC705: BU2092 |

NOTICE (cont'd)
J: JAPAN
K: KOREA
L: LAOS
M: MALAYSIA
N: NETHERLANDS
O: OCEANIA
P: PHILIPPINES
Q: QATAR
R: RUSSIA
S: SINGAPORE
T: THAILAND
U: U.S.A.
V: VIETNAM
W: WESTERN EUROPE
X: OTHER EUROPE
Y: YEMEN
Z: ZAMBIA

